

## Product Description

OPUS HE 19" load distribution panels are building blocks intended to be used together with Enedo 19" series rack systems product line. Separate panel gives freedom for local panel builder to optimize the final cabinet system.

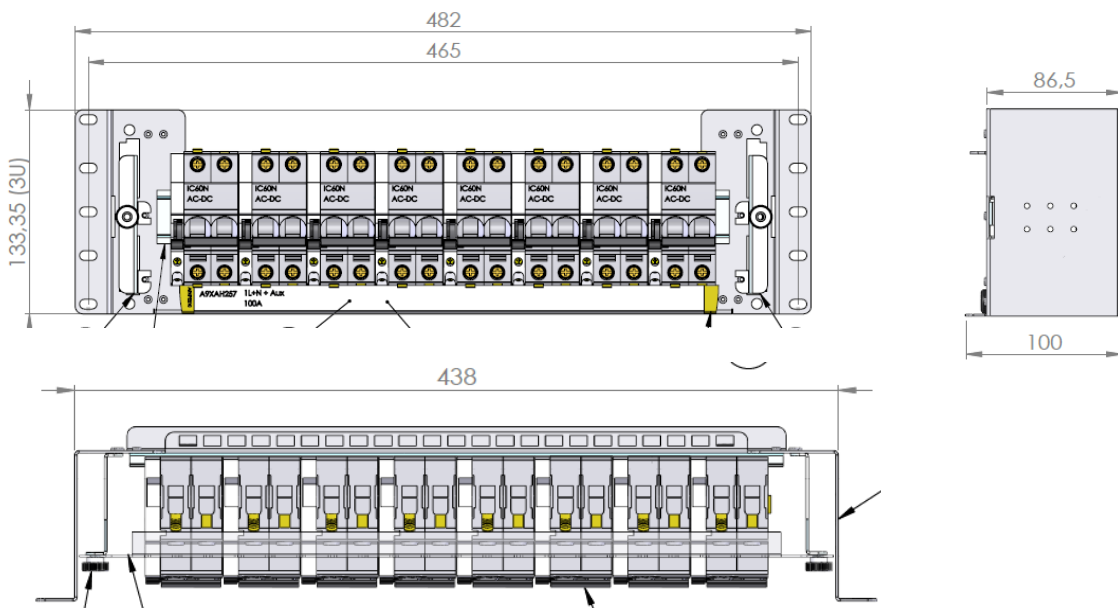
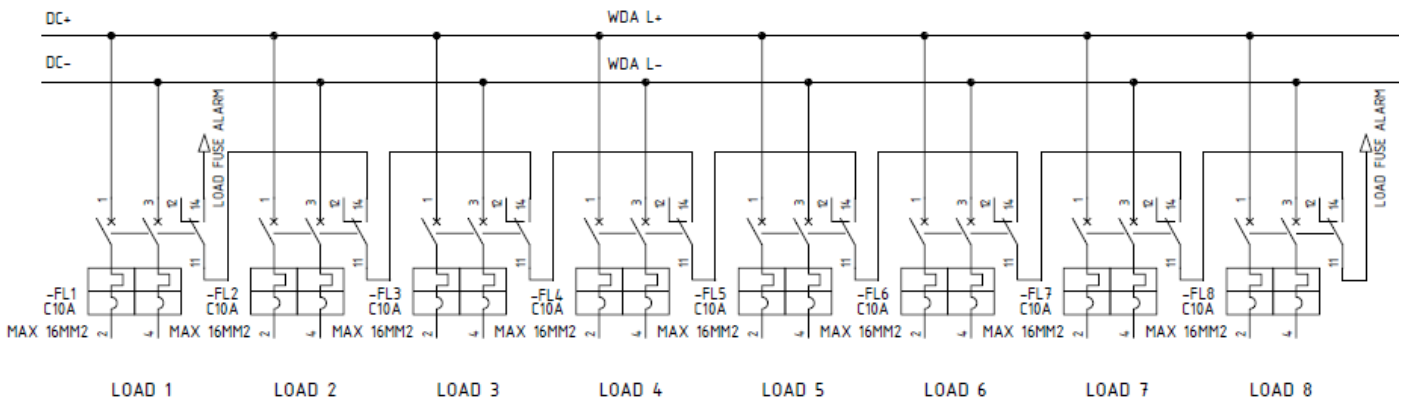
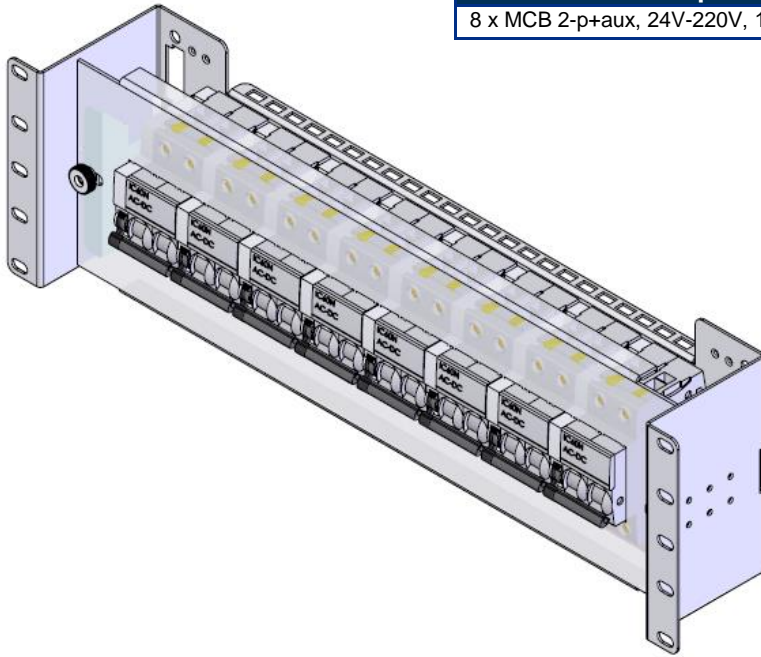
Load panel product line offers solution with MCB 2-pole and 1-pole protection and Diazed fuse protection. All fuses are monitored and alarm can be connected to VIDI controller and reported from VIDI to remote monitoring. Monitoring can be done by aux contacts for MCBs or by Enedo FMU Fuse Monitoring Unit for all panels.

## Features

- 19" 3U or 4U load distribution panels for local panel builders or modules to OPUS systems
- MCB panels, 2-p+aux and 1-p+aux
- MCB panels, FMU fuse monitoring
- Diazed fuse panels, FMU fuse monitoring
- MCB/fuse monitoring via VIDI controller
- Readymade building blocks local panel builder
- Enedo default MCB brand:  
DC 24V-60V, AC 230V Schneider Acti9 iC60N  
DC 110-220V Schneider Acti9 C60H-DC

# 19" DC load distribution panels, MCB load distribution, aux contact monitoring

Load Distribution panels	Order number
8 x MCB 2-p+aux, 24V-220V, 19" 3U	832X016110

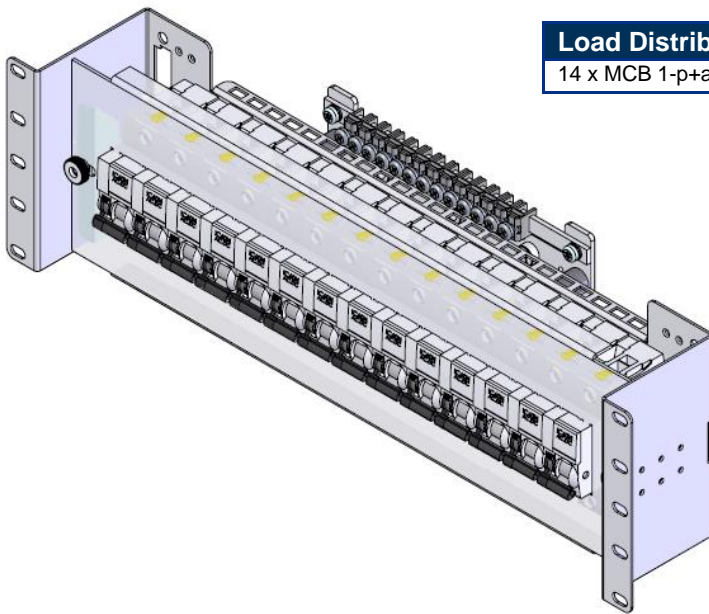


**Vitec POWER GmbH**

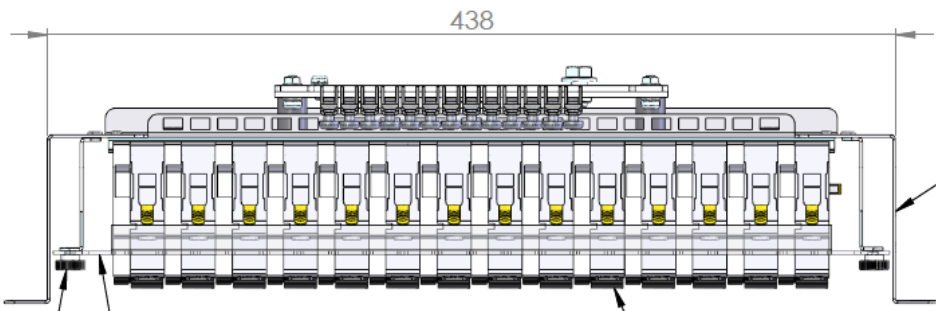
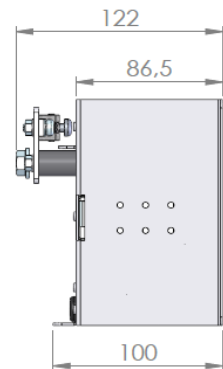
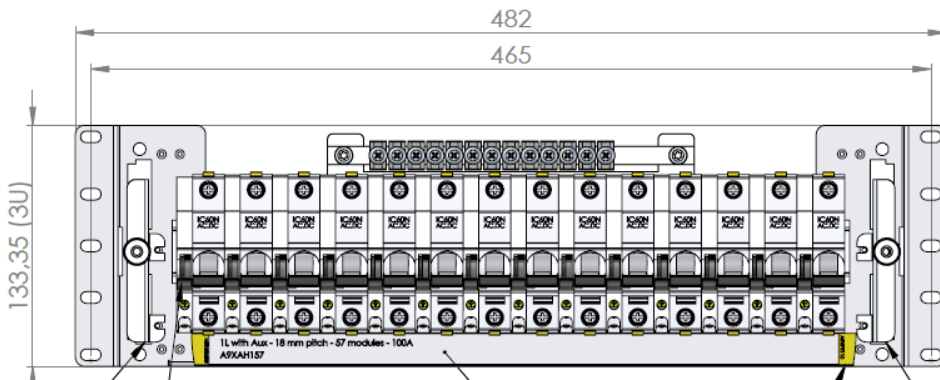
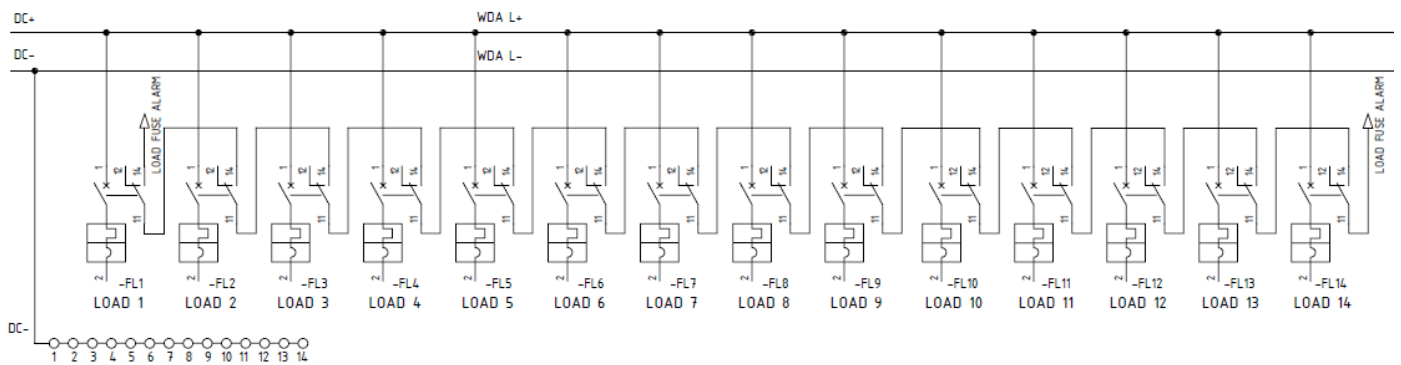
Bahnstraße 65-67/2/2, A-2230 Gänserndorf, Austria, Tel.: +43 (0)2282 3144, Email: [office@vitecpower.com](mailto:office@vitecpower.com)

[www.vitecpower.com](http://www.vitecpower.com)

# 19" DC load distribution panels, MCB load distribution, aux contact monitoring



Load Distribution panels	Order number
14 x MCB 1-p+aux, 24-220V, 19" 3U	832X016111



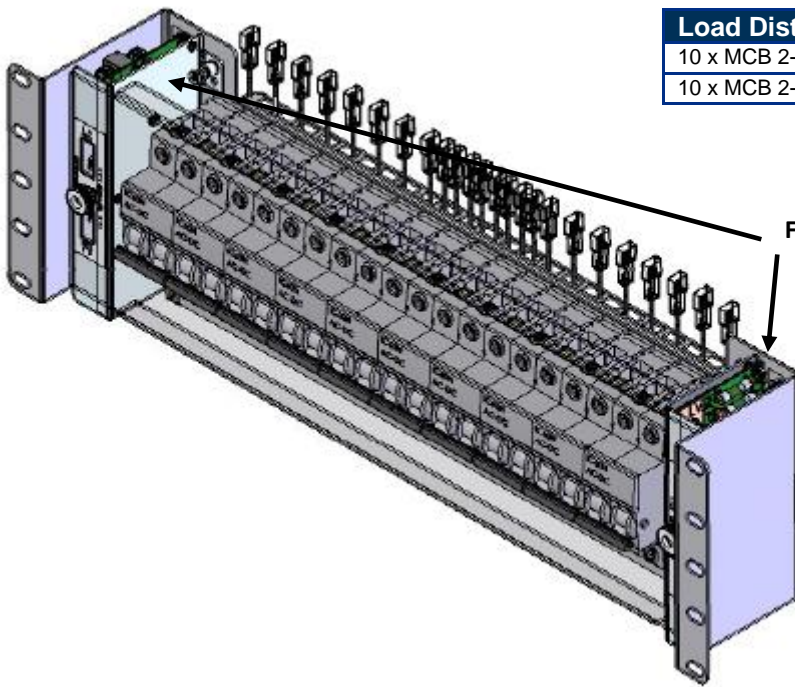
**Vitec POWER GmbH**

Bahnstraße 65-67/2/2, A-2230 Gänserndorf, Austria, Tel.: +43 (0)2282 3144, Email: [office@vitecpower.com](mailto:office@vitecpower.com)

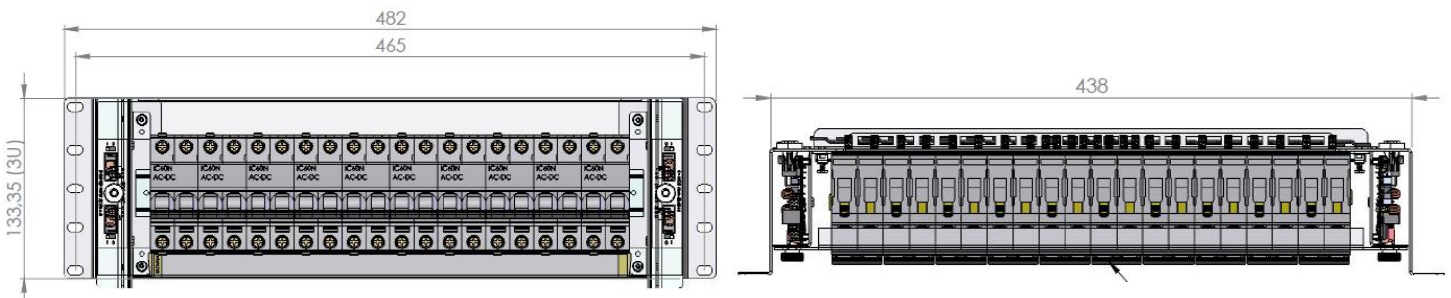
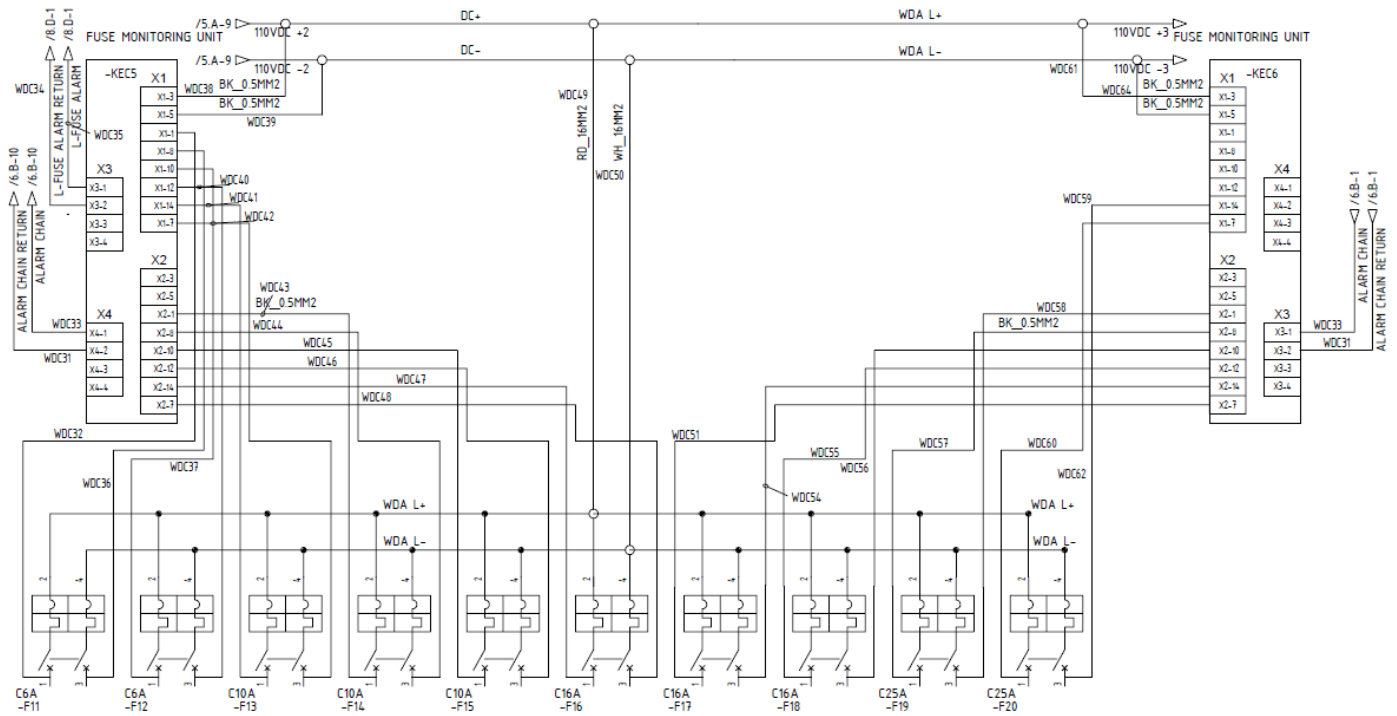
[www.vitecpower.com](http://www.vitecpower.com)

# 19" DC load distribution panels, MCB load distribution, FMU fuse monitoring

Load Distribution panels	Order number
10 x MCB 2-p, FMU, 24V-60V, 19" 3U	832X016086
10 x MCB 2-p, FMU, 110-220V, 19" 3U	832X016087



FMU = Fuse Monitoring Unit

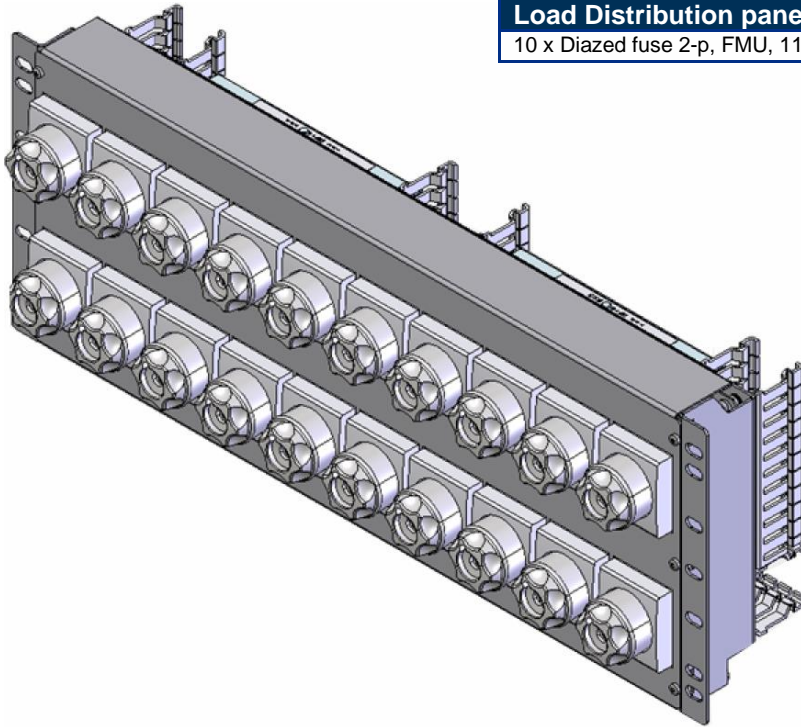


Vitec POWER GmbH

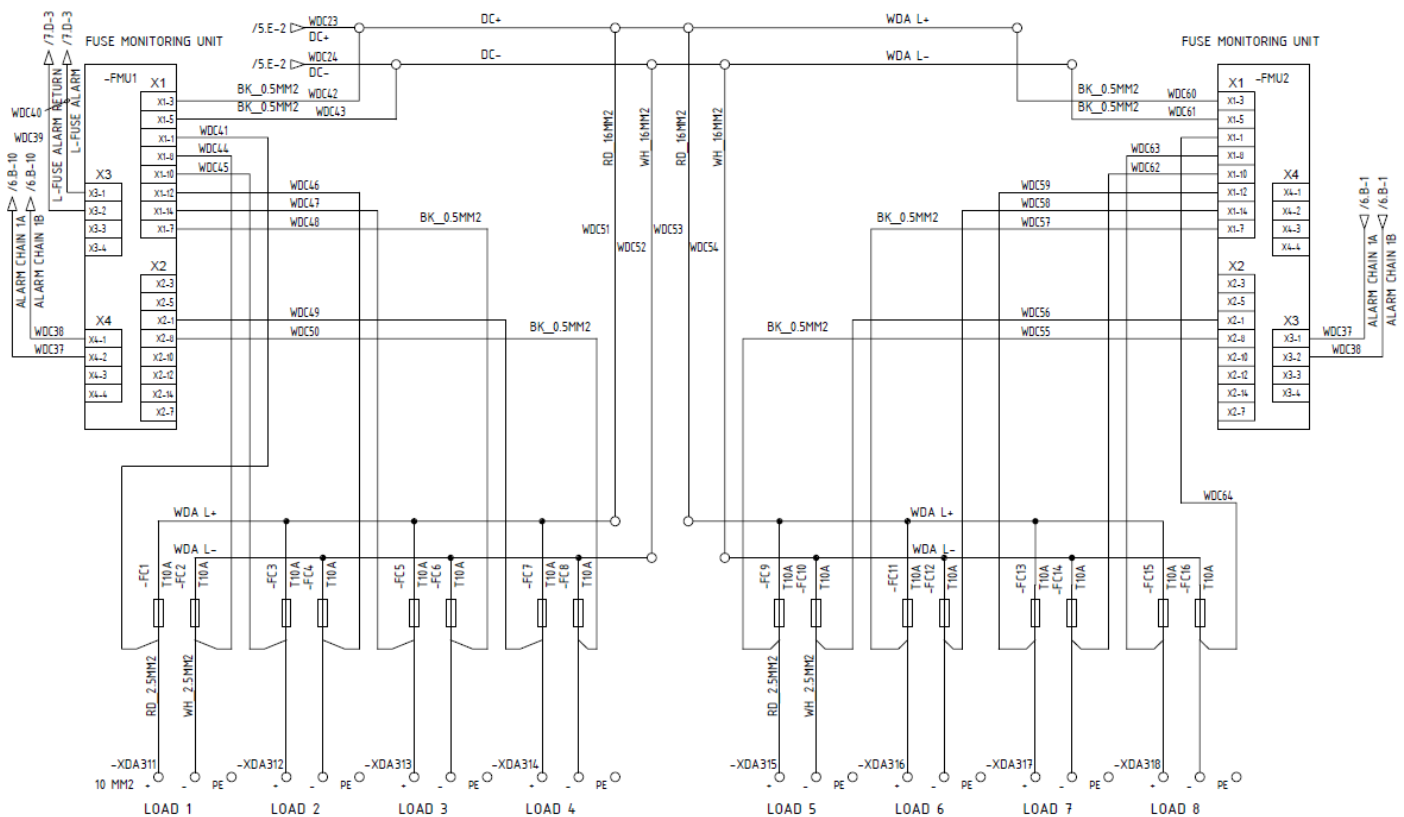
Bahnstraße 65-67/2/2, A-2230 Gänserndorf, Austria, Tel.: +43 (0)2282 3144, Email: [office@vitecpower.com](mailto:office@vitecpower.com)

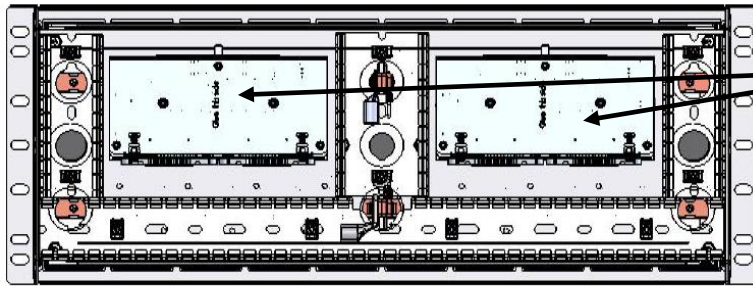
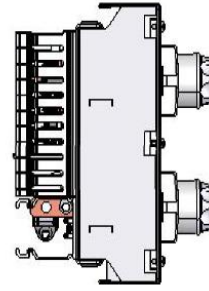
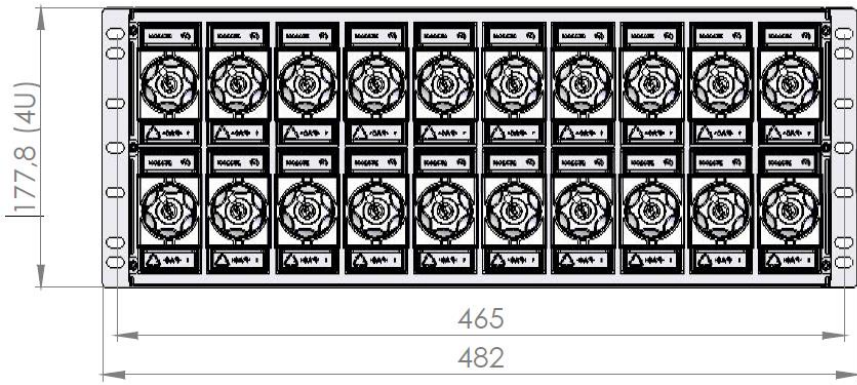
[www.vitecpower.com](http://www.vitecpower.com)

# 19" DC load distribution panels, Diazed fuse load distribution, FMU fuse monitoring



Load Distribution panels	Order number
10 x Diazed fuse 2-p, FMU, 110V-220V, 19" 4U	D02637





FMU = Fuse Monitoring Unit

Back view