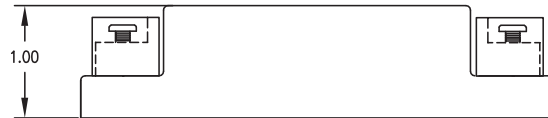
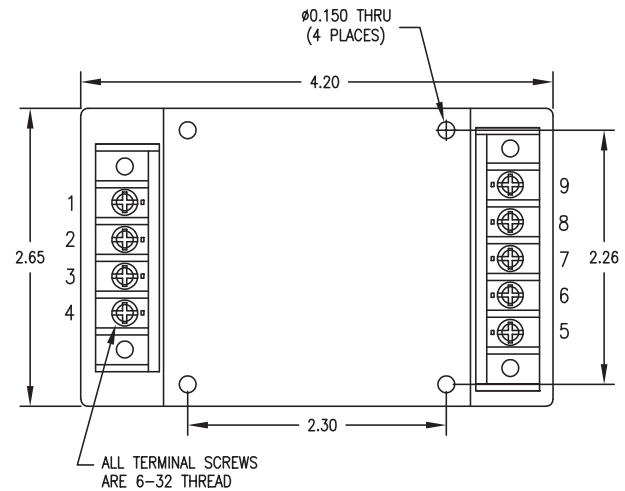


75 WATT QCM CHASSIS MOUNT DC/DC CONVERTERS

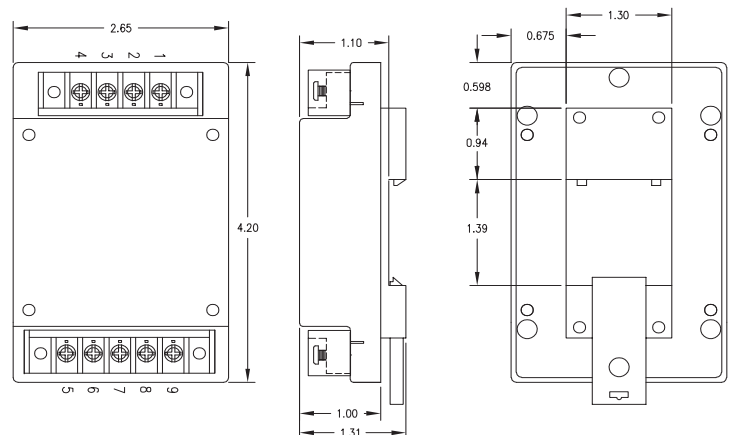


General Specifications			
All Models			Units
Remote ON/OFF Function			
HIGH Logic Level or Leave ON/OFF Pin Open	MIN	3.0	VDC
External Leakage Current Allowed for Logic High (9)	MAX	20	µA
Input Diode Protection Voltage	MAX	50	VDC
LOW Logic Level or Tie ON/OFF Pin to -INPUT	MAX	0.8	VDC
Sinking Current for Logic Low	MAX	2	mA
Open Circuit Voltage at Primary ON/OFF Pin (10)	TYP	5.6	VDC
Idle Current (Module is OFF)	TYP	6	mADC
Turn-on Time to 1% error	TYP	8	ms
Output Voltage Trim			
Trim Range	MIN MAX	±10	% of Vout
Input Resistance 3.3V	TYP	5	kΩ
Input Resistance All other voltages	TYP	10	kΩ
Open Circuit Voltage 3.3V	TYP	1.22	V
Open Circuit Voltage All other voltages	TYP	2.5	V
Output Voltage Remote Sensing			
Maximum Voltage Drops on Leads	MAX	0.5	VDC
Line Regulation under remote sensing	TYP MAX	0.02 0.5	%
Load Regulation under remote sensing	TYP MAX	0.05 0.5	%
Sense and Trim Limit			
Maximum Output Voltage	MAX	110	% of Vout
Isolation			
Input to Output Isolation 10µA Leakage Vnom = 24 V models	MAX	700	VDC
Vnom = 48 V models	MAX	1544	VDC
Environmental			
Calculated MTBF, Bellcore Method 1, Case 1	>1,000,000		h
Baseplate Operating Temperature Range	MIN MAX	-40 100	°C
Storage Temperature	MIN MAX	-40 120	°C
Thermal Impedance (11)	TYP	3.7	°C/W
Thermal Shutdown Case Temperature (Auto Restart)	MIN TYP	100 110	°C
General			
Case Dimension	2.65" x 4.20" x 1.00"		
Unit Weight	0.09 Kg		
Agency Approvals - Designed to Meet	UL/CUL 60950		



Pin	Name
1	+INPUT
2	ON/OFF
3	N/C
4	-INPUT
5	-OUTPUT
6	-SENSE
7	TRIM
8	+SENSE
9	+OUTPUT

TOLERANCE: ALL DIMENSIONS ARE TYPICAL IN INCHES UNLESS OTHERWISE NOTED:	
X.XX	±0.020
X.XXX	±0.005



Optional Din Mount

