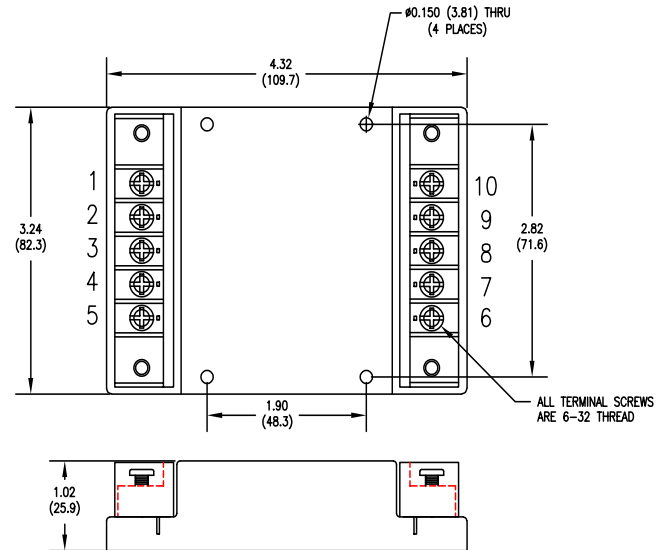


150 WATT HCM CHASSIS MOUNT DC/DC CONVERTERS

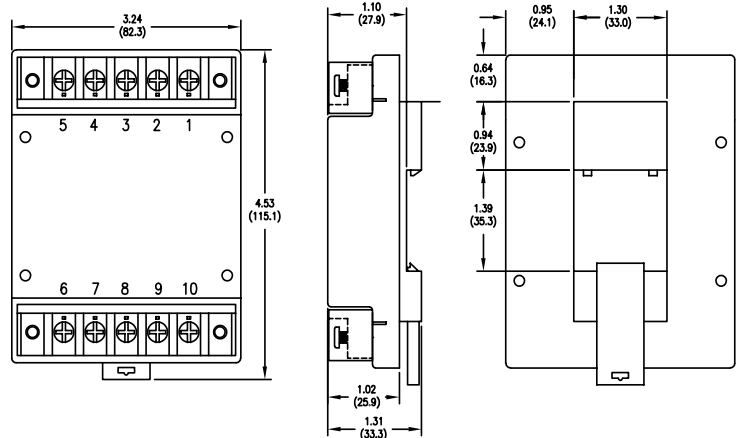


General Specifications			
All Models			Units
ON/OFF Function			
HIGH Logic Level or Leave ON/OFF Terminal Open	MIN	3.0	VDC
External Leakage Current Allowed for Logic High (9)	MAX	10	µA
Input Diode Protection Voltage	MAX	50	VDC
LOW Logic Level or Tie ON/OFF Terminal to -INPUT	MAX	1.0	VDC
Sinking Current for Logic Low	MAX	500	µA
Open Circuit Voltage at ON/OFF Terminal (10)	TYP	2.3	VDC
Output Resistance	TYP	3	k Ω
Idle Current (Module is OFF)	TYP	8	mADC
Turn-on Time to 1% error	TYP	60	ms
Logic	HIGH - Module ON LOW - Module OFF		
Output Voltage Remote Sensing			
Maximum Voltage Drops on Leads	MAX	10	%
Line Regulation under remote sensing	TYP MAX	0.02 0.1	%
Load Regulation under remote sensing	TYP MAX	0.05 0.2	%
Output Voltage Trim			
Trim Range	MIN MAX	-10 +10	% of Vout
Input Resistance	TYP	10	kΩ
Open Circuit Voltage	TYP	2.5	V
Trim Limit			
Maximum Output Voltage	MAX	110	% of Vout
Isolation			
Input to Output Isolation 10µA Leakage Vnom = 24V Vnom = 48V	MAX MAX	700 1544	VDC VDC
Input to Output Resistance	MIN	10	MΩ
Input to Output Capacitance	TYP	1600	pF
Environmental			
Calculated MTBF, Bellcore Method 1, Case 1	>1,000,000		h
Case Operating Temperature Range	MIN MAX	-40 100	°C
Storage Temperature	MIN MAX	-40 120	°C
Thermal Impedance	TYP	3	°C/W
Thermal Shutdown Case Temperature (Auto Restart)	MIN TYP	100 110	°C
General			
Unit Weight with -DIN Option	TYP	13.28 oz (378 gm) 13.92 oz (396 gm)	
Case Dimension	4.3" x3.2" x1.0"		
Agency Approvals:			
UL	IEC 60950-1 and EN60950-1		



Tolerance All dimensions are typical in inches (mm) unless otherwise noted:
Tolerance: x.xx in ±0.02 in (x.x mm ±0.5 mm)

Terminal No.	Function	Terminal No.	Function
1	+Input	6	-Output
2	On/Off	7	-Sense
3	N/C	8	Trim
4	Case	9	+Sense
5	-Input	10	+Output



Optional Din Mount

