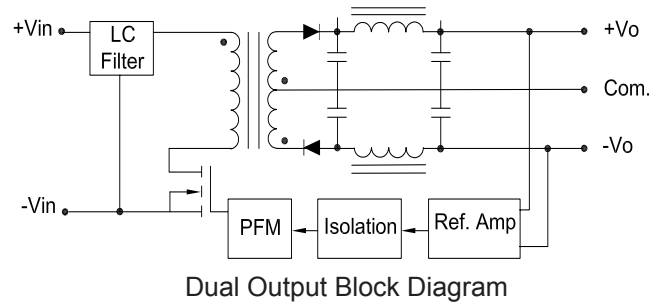
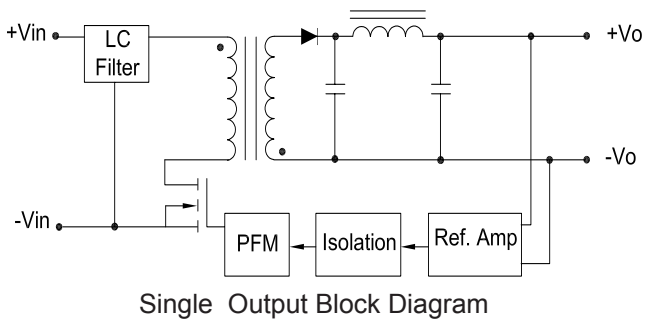
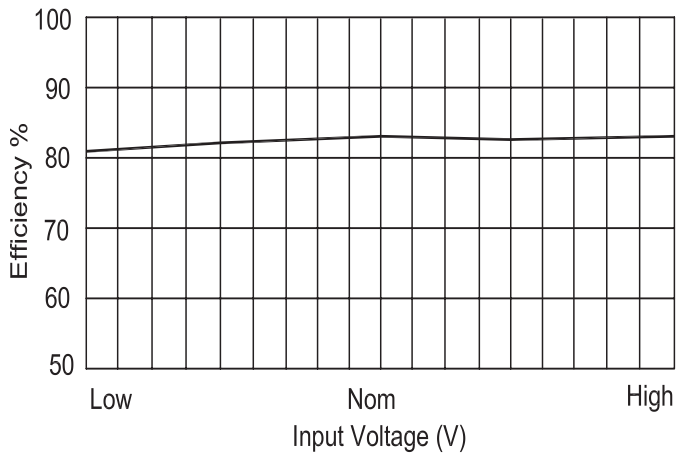


Block Diagrams

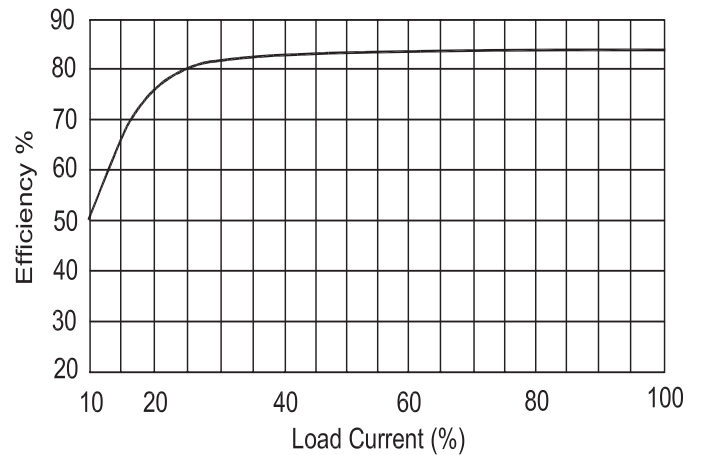


Efficiency Curves

Single Output

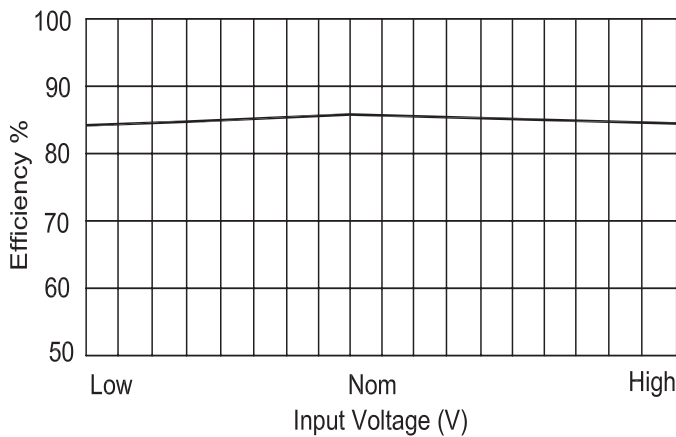


Efficiency vs Input Voltage

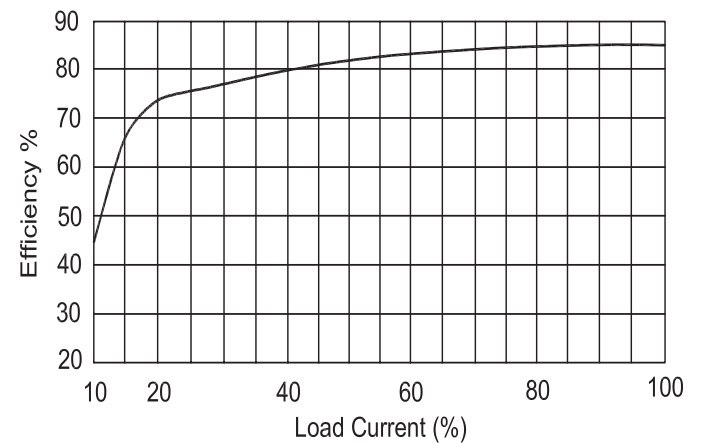


Efficiency vs Output Load

Dual Output



Efficiency vs Input Voltage



Efficiency vs Output Load