



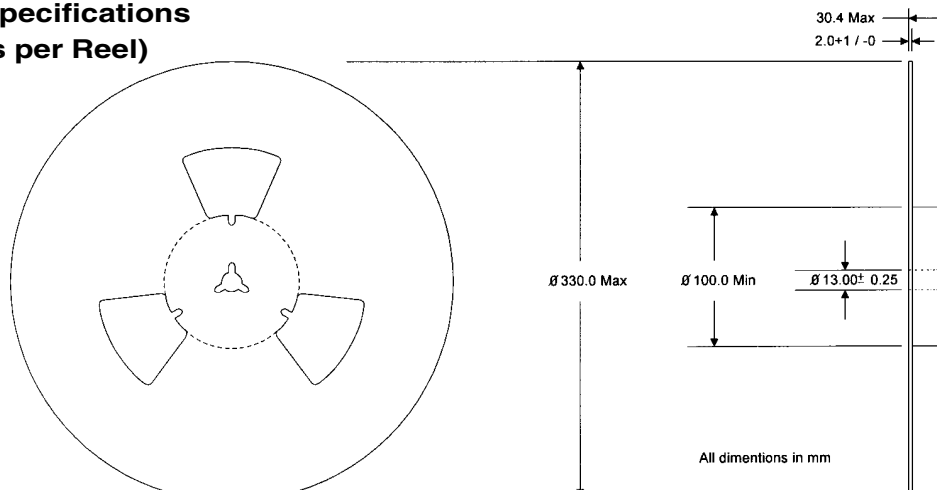




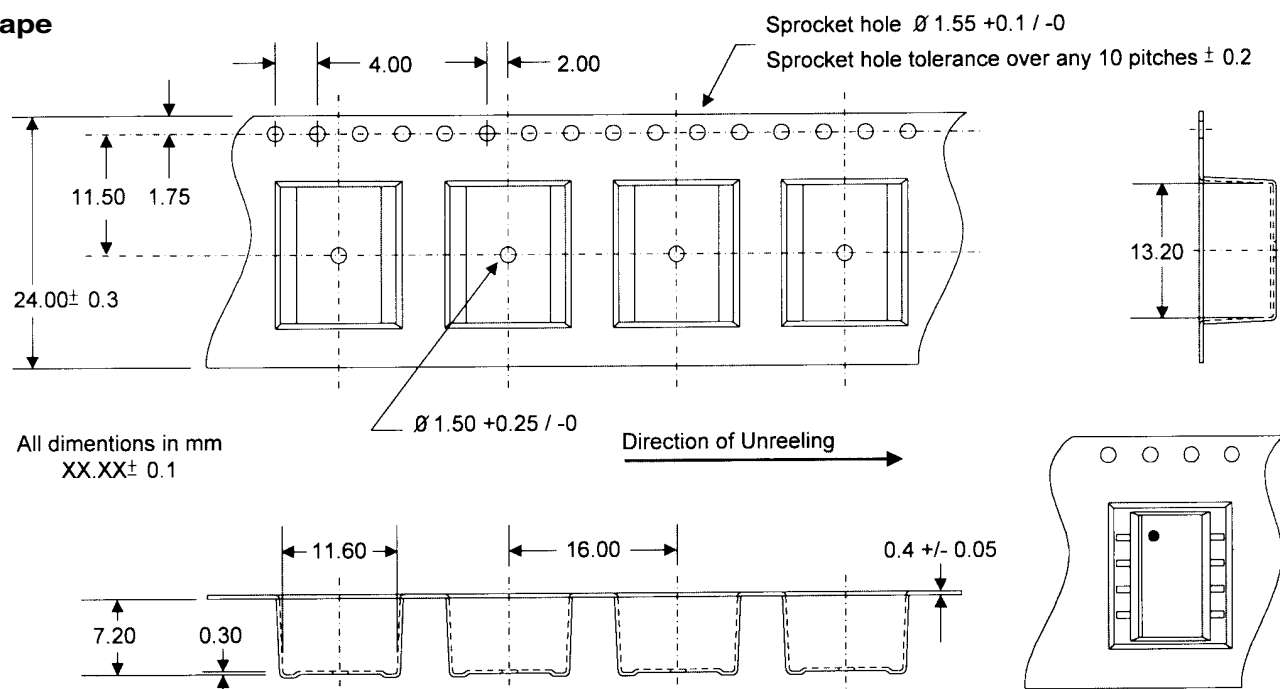
# 1 WATT SMT SINGLE DC/DC CONVERTERS



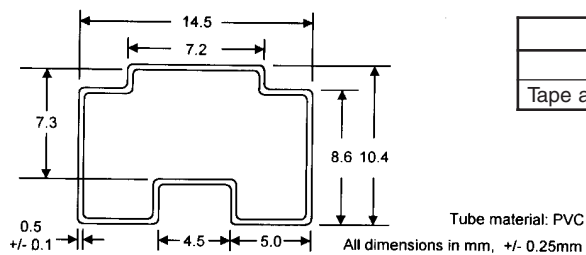
## Packaging Specifications Reel (500pcs per Reel)



## Tape



## Tube (25pcs per Tube)



## Packaging Details

Packaging Style	Quantity
Tube	25
Tape and Reel to IEC 286-3 Specifications	500

