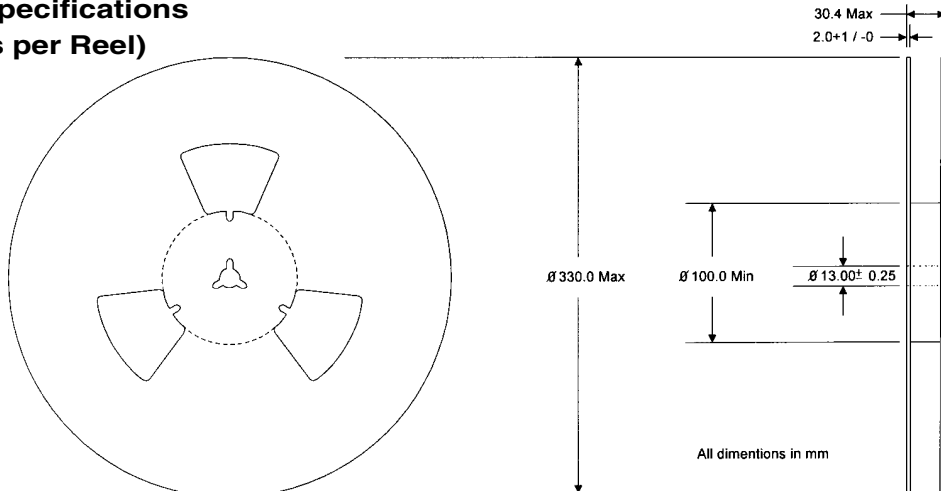


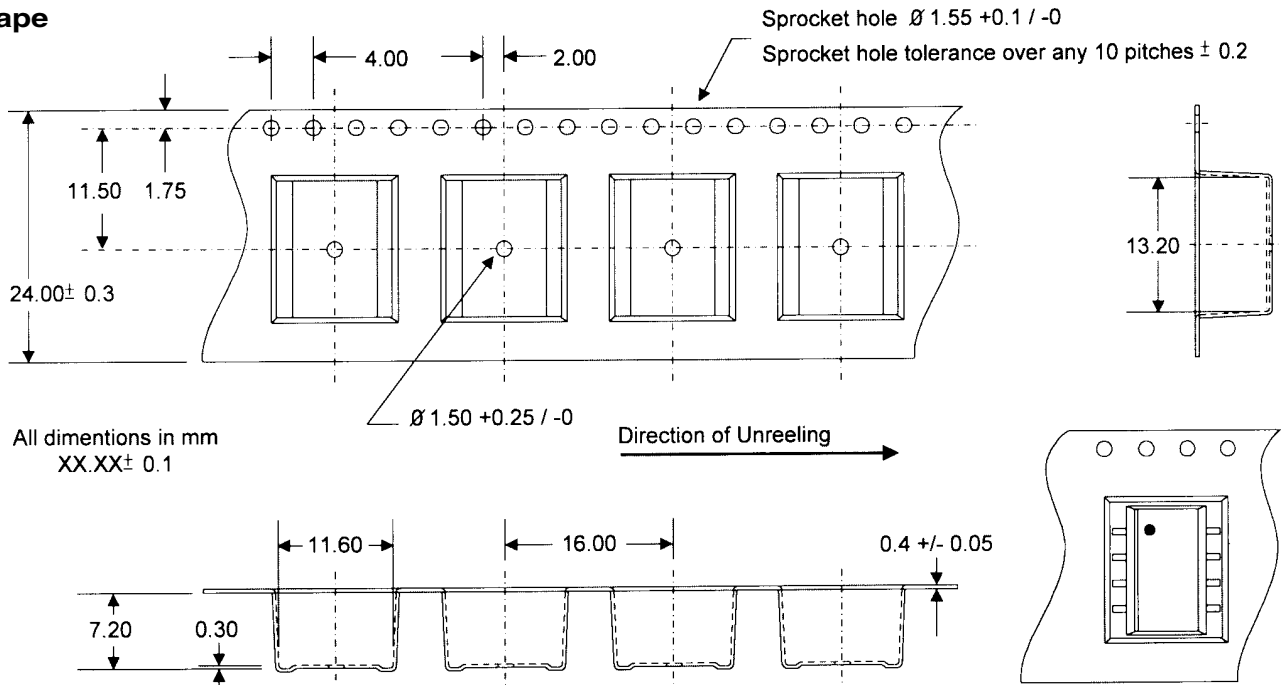
1 WATT SMT DUAL DC/DC CONVERTERS



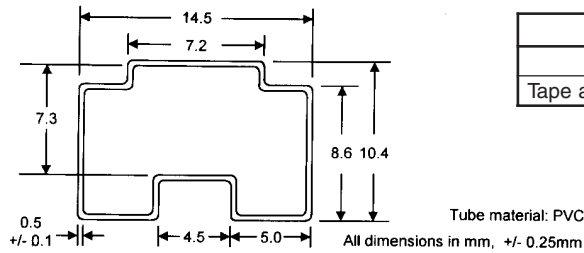
Packaging Specifications Reel (500pcs per Reel)



Tape



Tube (25pcs per Tube)



Packaging Details

| Packaging Style | Quantity |
|---|----------|
| Tube | 25 |
| Tape and Reel to IEC 286-3 Specifications | 500 |

