

presents

# powerPAC4K

by



**The alternative for Vicor MegaPAC**

**family AC-DC & DC-DC switchers**



CONFIGURABLE  
AC-DC converter

up to 4000 W • 1 to 16 outputs

presents

# powerPAC4K

by



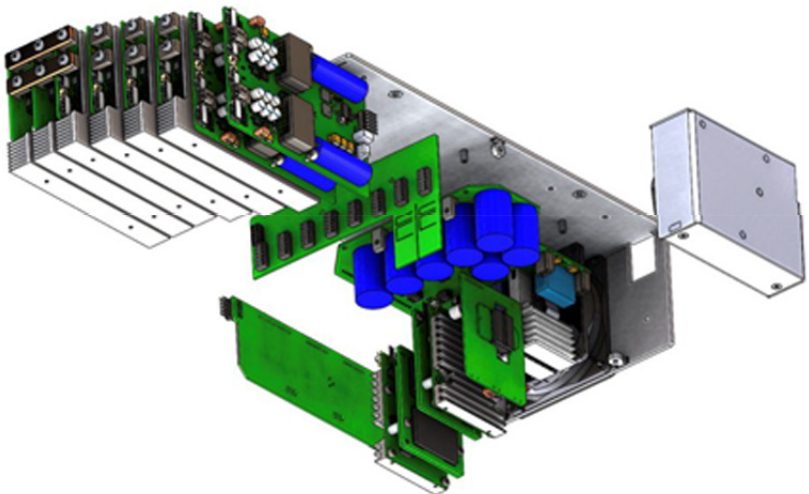
**The alternative for Vicor MegaPAC**

**family AC-DC & DC-DC switchers**



CONFIGURABLE  
AC-DC converter

up to 4000 W • 1 to 16 outputs



Vicor DCM 500W DC-DC modules associated to Power System Technology expertise in discrete solutions for low power outputs, AC-DC Front End and use of latest semi-conductor GaN and SiC technologies.

**WANT A FORETASTE ?**

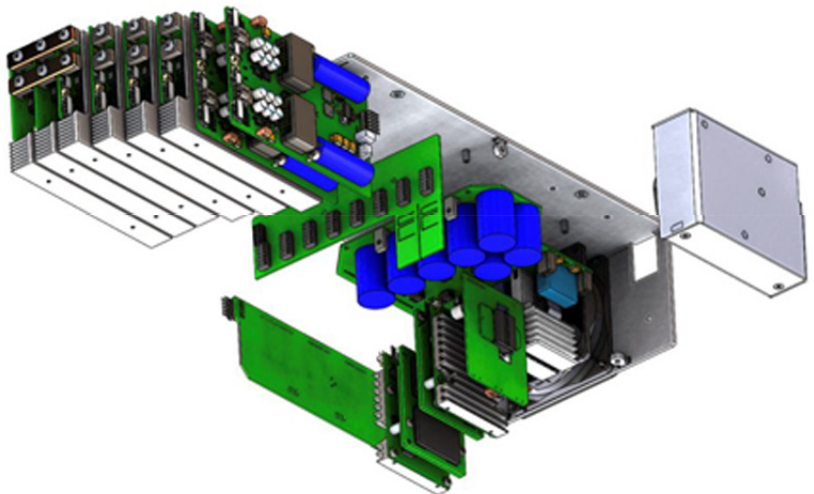


**vitec**  
POWER GmbH



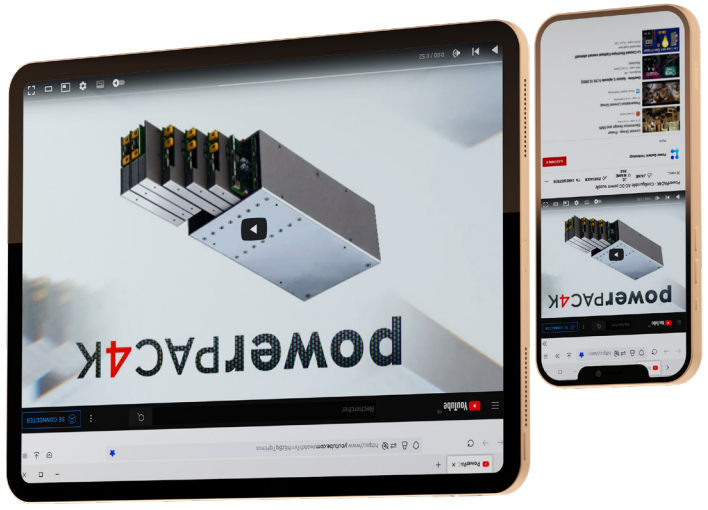
office@vitecpower.com

+43 (0) 2282 3144



Vicor DCM 500W DC-DC modules associated to Power System Technology expertise in discrete solutions for low power outputs, AC-DC Front End and use of latest semi-conductor GaN and SiC technologies.

**WANT A FORETASTE ?**



**vitec**  
POWER GmbH



office@vitecpower.com

+43 (0) 2282 3144

