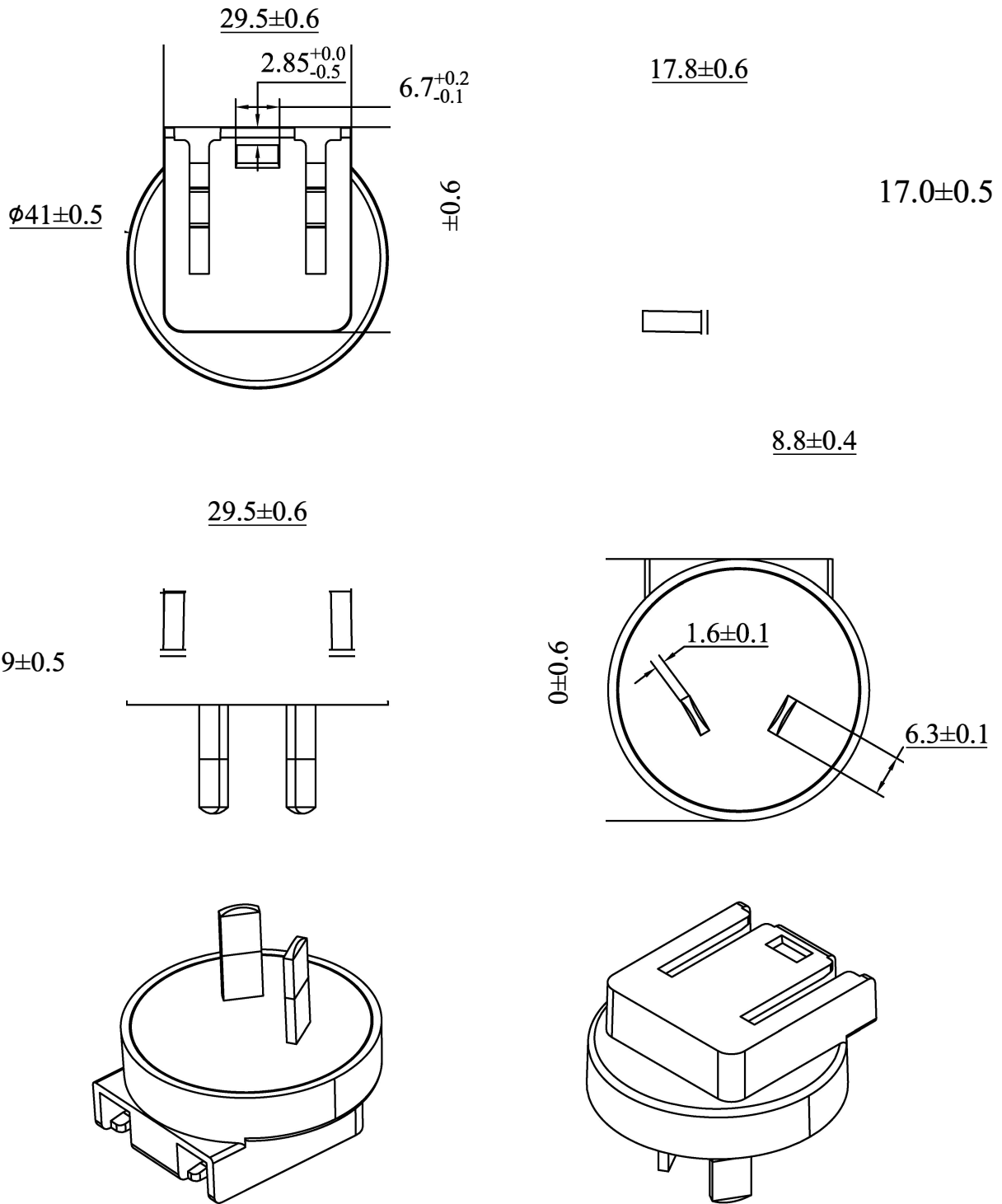


**SAA AC Plug Dimension(unit:mm)**



**LCP-SAA Plug Black RoHS+RAHS**

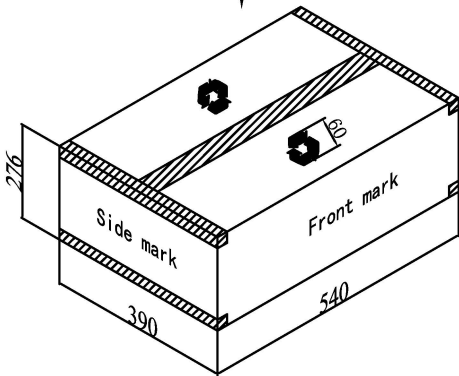
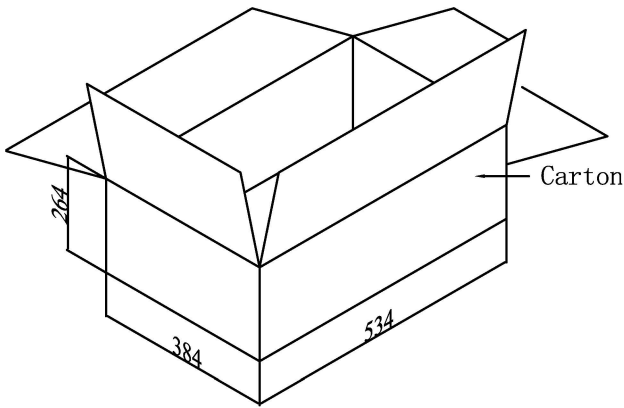
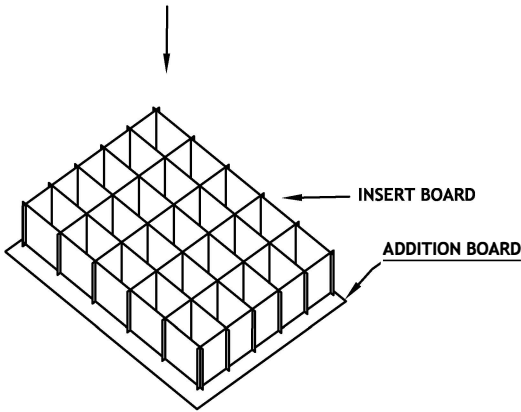
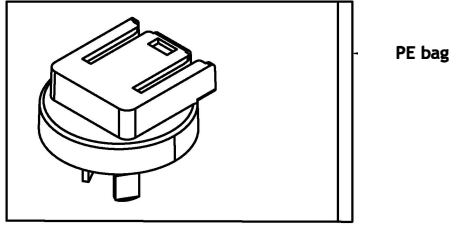
**300300882000(20100341)**

**Part No.: KT1001AU**

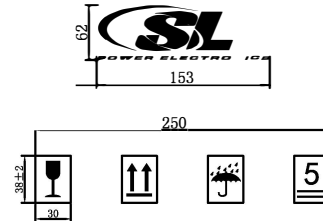
# Package Method(unit:mm)

**Technical Requirement:**

1. Carton: 2 layers wall, 6mm thickness.  
Outline dimension: 540mm × 390mm × 276mm
2. Additional board:  
3 mm thickness  
3 pieces per carton.
3. Humidity protector:  
Each plug packed in a small PE bag.  
All plugs packed in a big PE bag with an outer carton.
4. Quantity:  
2 layers per carton.  
200 pcs. per layer.  
400 pcs. per carton.
5. Weight:  
Each carton approx. 8.6 kg gross.  
Each carton approx. 6.4 kg net.



**Side mark**



carton label position

**Front mark**



MODEL No: \_\_\_\_\_ DATE CODE: \_\_\_\_\_  
 DESCRIPTION: \_\_\_\_\_ S/N: \_\_\_\_\_ TO \_\_\_\_\_  
 ORDER No: \_\_\_\_\_ QTY: \_\_\_\_\_  
 VOLUME: 54.0x39.0x27.6(CM) WEIGHT: \_\_\_\_\_

**SL Power Electronics Co.,Ltd**

1. Words: SL Electronics Co.,Ltd. is Arial, 20mm high  
Other words is Arial, 13mm high
2. Color: Recycle logo 60mm high, center position;  
words & logo is black.