



# HEATSINK KIT for DC/DC CONVERTERS

REVISION: March 12, 2021 V12

## FEATURES:

- \* Constructed of aluminum AL6063 for optimum heat transfer
- \* Designed specifically for DC/DC Converters and other baseplate packages
- \* Finished with black anodize plating
- \* Mounting hardware and thermal pad are available

## Ordering Information for Heatsinks:

Item	MODEL NUMBER			SUITABLE DC/DC PACKAGE	FIN STYLE	HEATSINK HEIGHT (mm)	THERMAL RESISTANCE (C/W)				
	HEATSINK	THERMAL PAD	MOUNTING HARDWARE (NOTES 5)				NATURAL CONVECTION	100 LFM	200 LFM	300 LFM	400 LFM
1	SBC100 (K-C087)	N/A ^7	CLIP HC01	SB 1"x1"	Cross Cut	10.0	12.5	--	--	--	--
2	BC100 (K-C088)	N/A ^7	CLIP HC01	B 2"x1"	Cross Cut	10.0	10.2	--	--	--	--
3	LBT127 (M-C655)	PL01	K258W	LB 2.05"x1.2"	Transverse	12.7	8.99	3.29	2.73	2.40	2.10
4	QBL127 (M-C448)	PQ01	K308W or K310W	Quarter Brick	Longitudinal	12.7	5.61	4.01	3.39	2.86	2.49
5	QBT210 (M-C421)				Transverse	21	4.78	2.44	2.06	1.76	1.58
6	HBL210 (M-C308)	PH01	K308W or K310W	Half Brick	Longitudinal	21	3.9	1.74	1.33	1.12	0.97
7	HBT127 (M-C091)				Transverse	12.7	4.7	2.89	2.3	1.88	1.59
8	HBT254 (M-C092)				Transverse	25.4	3.0	1.44	1.17	1.04	0.95
9	FBL254 (M-B012)	PF01	K320W	Full Brick	Longitudinal	25.4	2.4	1.76	1.17	1.0	0.83

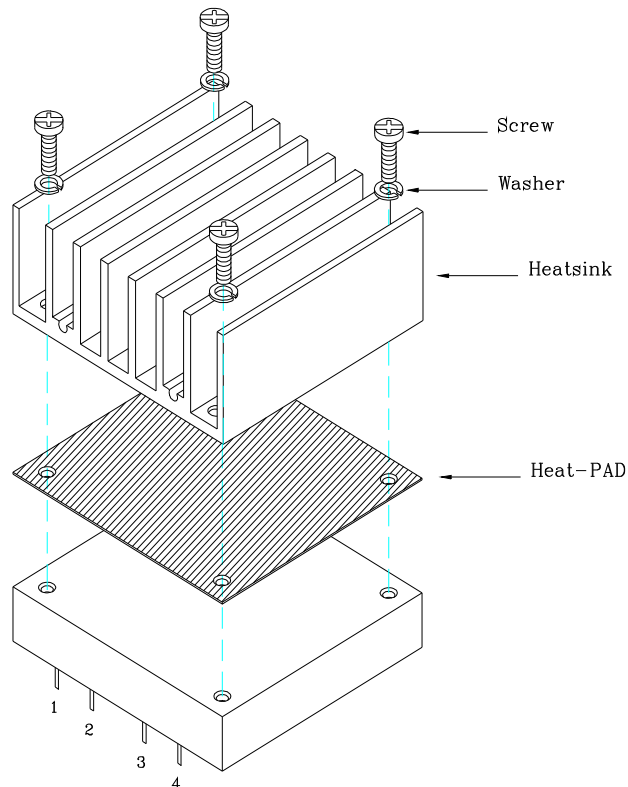
### NOTES:

1. With threaded mounting hole
2. Example Part Numbers:
  - QBL127: Quarter Brick Heatsink (12.7mm High), plate fin (longitudinal)
  - FBL254PF01: Full Brick Heatsink (25.4mm High), plate fin (longitudinal) with thermal interface pad
  - HBT127PH01K308W: Half Brick Heatsink (12.7mm High), plate fin (transverse) with thermal interface pad and 4 pieces of M3 x 8mm screws & spring washers
  - HBL210K308W: Half Brick Heatsink (21.0mm High), plate fin (longitudinal) with 4 pieces of M3 x 8mm screws & spring washers
3. Thermal data provided are for reference only. Actual cooling performance may vary by application.
4. Specifications are subject to change without notice.
5. K258W: Screw set M2.5\*8mm screw & lock washer x 2pcs      K308W : Screw set M3\*8mm screw with spring washer x 4pcs  
 K310W: Screw set M3\*10mm screw with spring washer x 4pcs      K320W : Screw set M3\*20mm screw & spring washer x 4pcs  
 K320N: Screw set M3\*20mm screw & lock screw nut x 4pcs
6. For volume orders, converters will be supplied with heat-sink already mounted. Separate heatsinks are only available for prototypes and small quantity orders.
7. Applying proper thermal paste is recommended.

# HEATSINK KIT for DC/DC CONVERTERS

## Ordering information for Heatsink Kits:

Item	HEATSINK KIT MODEL NUMBER	SUITABLE DC/DC PACKAGE	HEATSINK	THERMAL PAD	MOUNTING HARDWARE
1	SBC100HC01	SB 1"x1"	SBC100	none	CLIP HC01
2	BC100HC01	B 2"x1"	BC100	none	CLIP HC01
3	LBT127PL01K258W	LB 2.05"x1.2"	LBT127	PL01	K258W
4	QBL127PQ01K308W	Quarter Brick	QBL127	PQ01	K308W
5	QBT210PQ01K308W	Quarter Brick	QBT210	PQ01	K308W
6	HBL210PH01K310W	Half Brick	HBL210	PH01	K310W
7	HBT127PH01K310W	Half Brick	HBT127	PH01	K310W
8	HBT254PH01K310W	Half Brick	HBT254	PH01	K310W
9	HBT127K308W	Half Brick	HBT127	none	K308W
10	HBT254K308W	Half Brick	HBT254	none	K308W
11	FBL254PF01K308W	Full Brick	FBL254	PF01	K308W

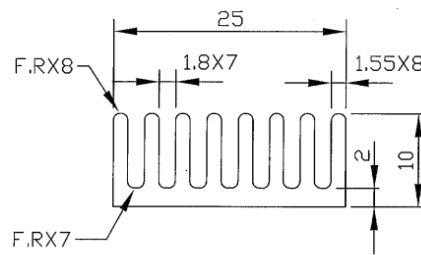
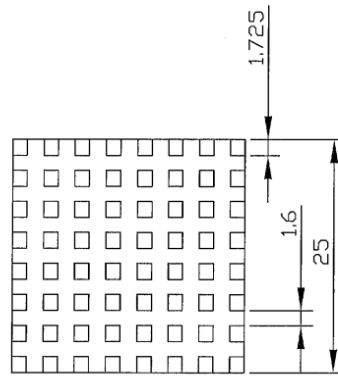


# SB 1"x1" CASE HEATSINK KIT

## Cross Cut Heat Sink: SBC100 (K-C087)

All Dimensions in mm

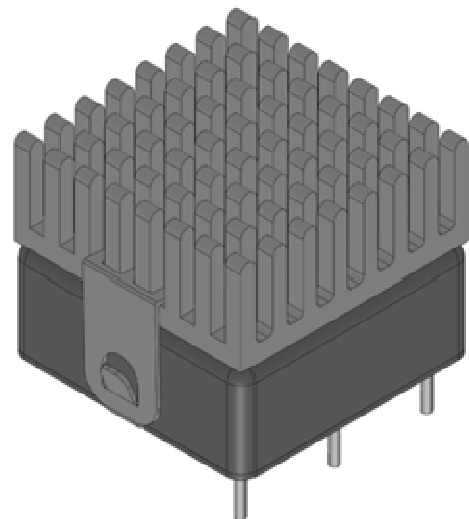
Rca: 12.5°C/W (typ.), at natural convection



## Assembly:

Heat Sink: SBC100

Clip: HC01

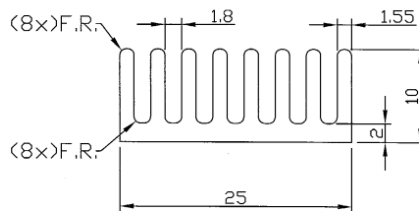
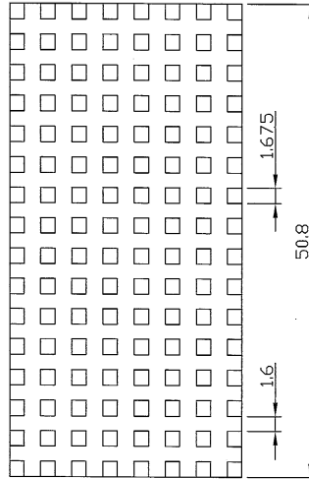


# B 2"x1" CASE HEATSINK KIT

## Cross Cut Heat Sink: BC100 (K-C088)

All Dimensions in mm

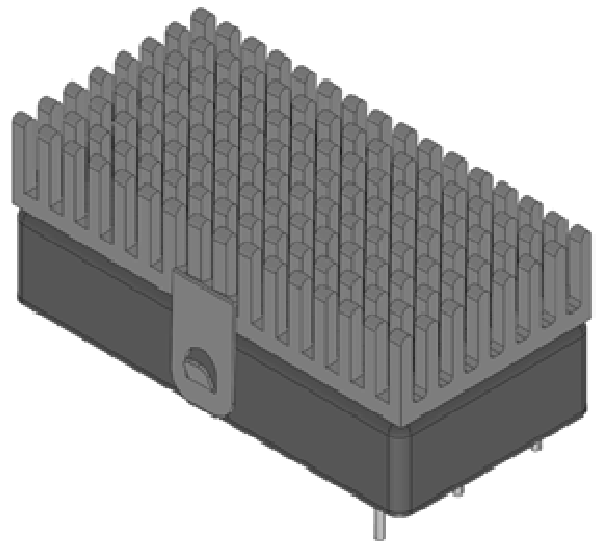
Rca: 10.2°C/W (typ.), at natural convection



## Assembly:

Heat Sink: BC100

Clip: HC01

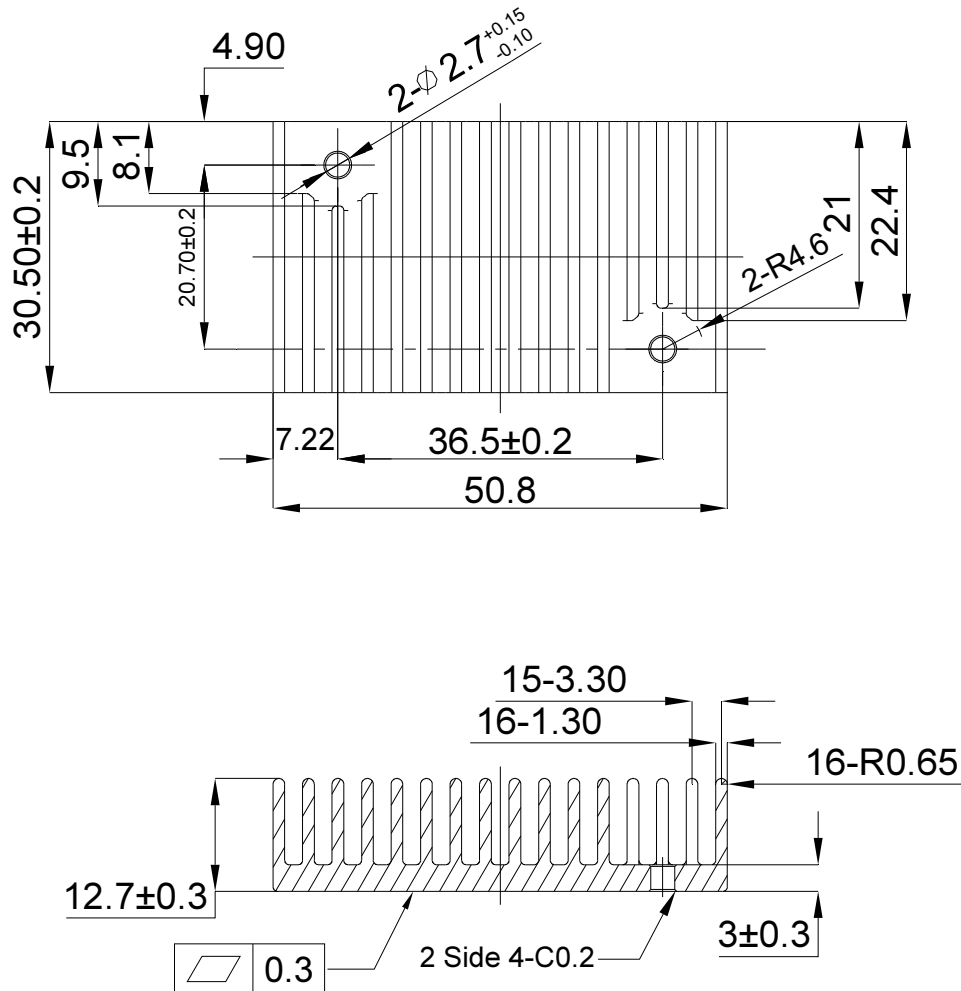


# LB 2.05"x1.2" CASE HEATSINK KIT

**PART NUMBER: LBT127PL01K258W**

**Heat Sink: LBT127 (M-C655) Transverse Fins**

All Dimensions in mm



Rca: 8.99°C/W (typ.), at natural convection

3.29°C/W (typ.), at 100LFM

2.73°C/W (typ.), at 200LFM

2.40°C/W (typ.), at 300LFM

2.10°C/W (typ.), at 400LFM

Thermal Pad: PL01 29.5\*49.8\*0.25mm

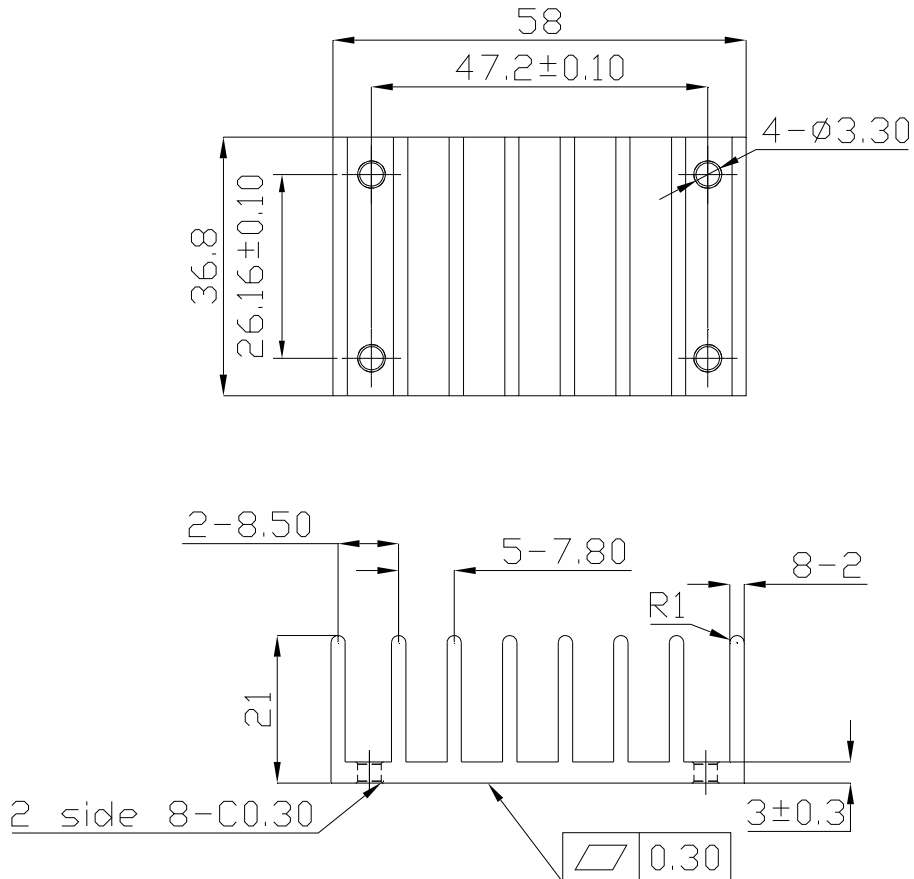
Screw Set: K258W M2.5\*8mm+Lock Washer

# QB CASE HEATSINK KIT

**PART NUMBER: QBT210PQ01K308W**

**Heat Sink: QBT210 (M-C421) Transverse Fins**

All Dimensions in mm



- Rca: 4.78°C/W (typ.), at natural convection
- 2.44°C/W (typ.), at 100LFM
- 2.06°C/W (typ.), at 200LFM
- 1.76°C/W (typ.), at 300LFM
- 1.58°C/W (typ.), at 400LFM

Thermal Pad: PQ01 35.8\*56.9\*0.25 mm

Screw Set: K308W SMP+SW M3\*8mm

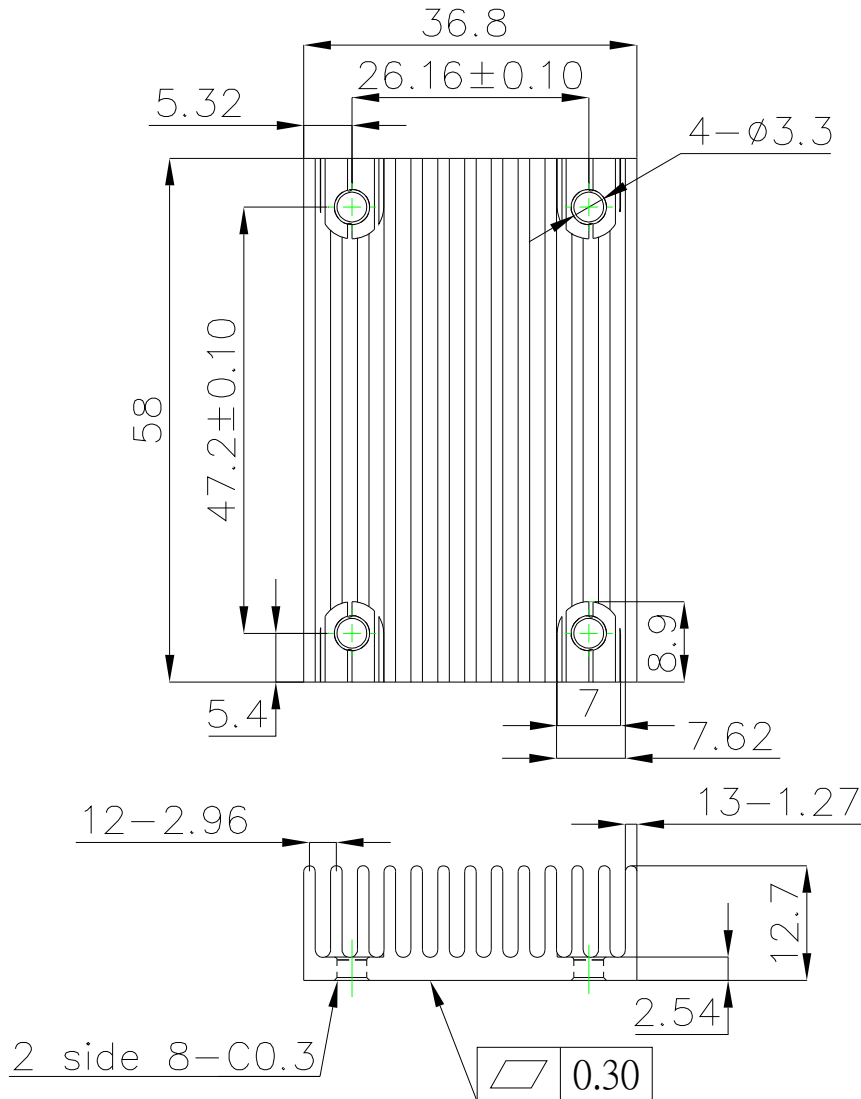


# QB CASE HEATSINK KIT

**PART NUMBER: QBL127PQ01K308W**

**Heat Sink: QBL127 (M-C448) Longitudinal Fins**

All Dimensions in mm



- Rca: 5.61°C/W (typ.), at natural convection
- 4.01°C/W (typ.), at 100LFM
- 3.39°C/W (typ.), at 200LFM
- 2.86°C/W (typ.), at 300LFM
- 2.49°C/W (typ.), at 400LFM

Thermal Pad: PQ01 35.8\*56.9\*0.25 mm

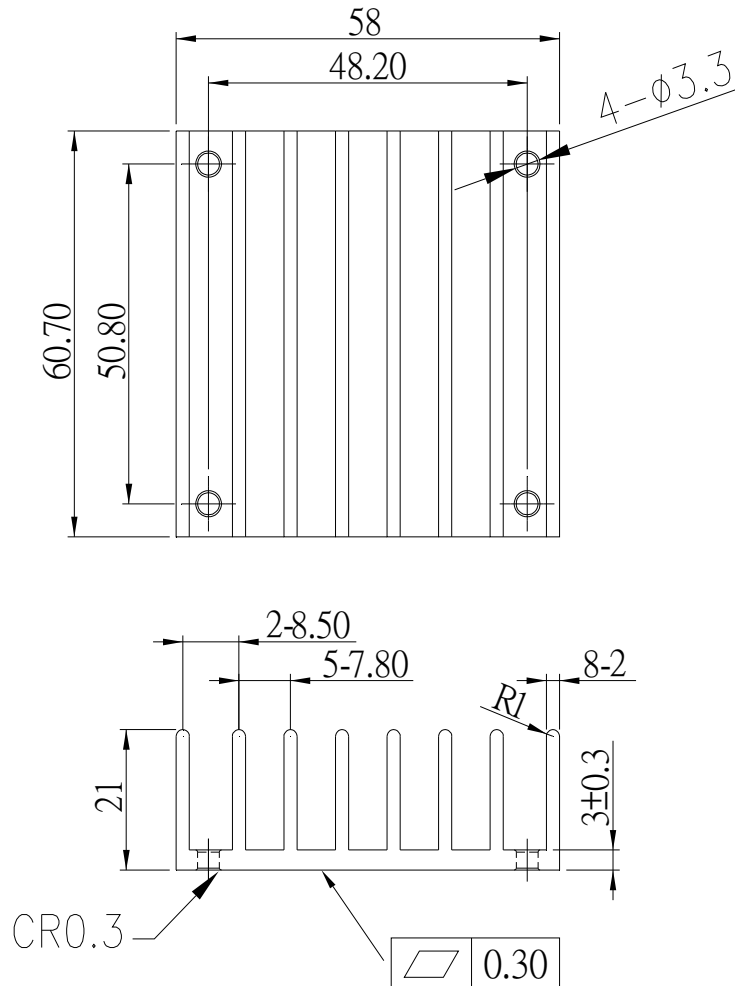
Screw Set: K308W SMP+SW M3\*8mm



# HB CASE HEATSINK

## Heat Sink: HBL210 (M-C308) Longitudinal Fins

All Dimensions in mm



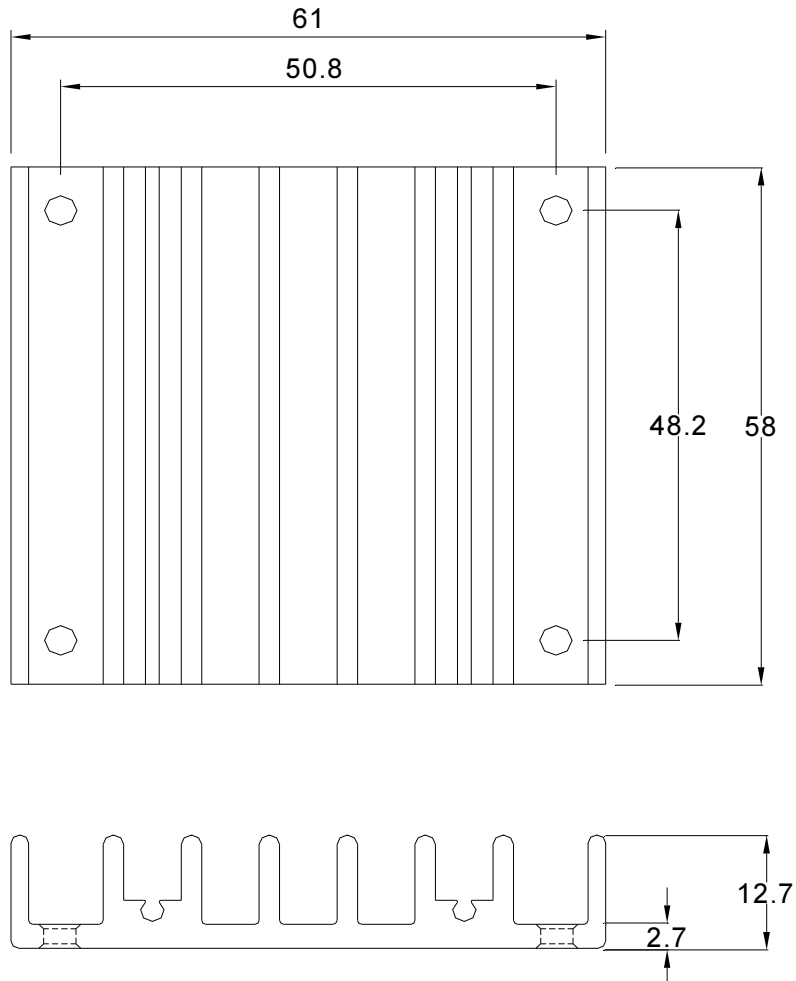
- Rca: 3.9°C/W (typ.), at natural convection
- 1.74°C/W (typ.), at 100LFM
- 1.33°C/W (typ.), at 200LFM
- 1.12°C/W (typ.), at 300LFM
- 0.97°C/W (typ.), at 400LFM



# HB CASE HEATSINK

## Heat Sink: HBT127 (M-C091) Transverse Fins

All Dimensions in mm



### M-C091

Rca: 4.7°C/W (typ.), at natural convection

2.89°C/W (typ.), at 100LFM

2.30°C/W (typ.), at 200LFM

1.88°C/W (typ.), at 300LFM

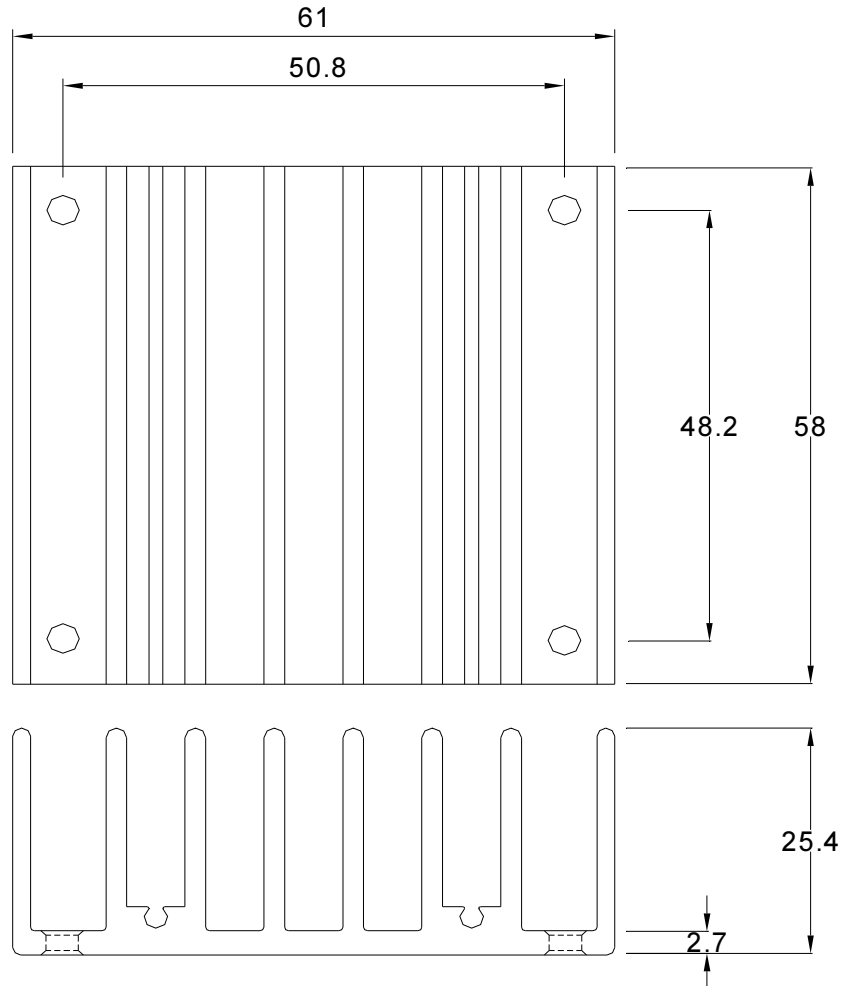
1.59°C/W (typ.), at 400LFM



# HB CASE HEATSINK

## Heat Sink: HBT254 (M-C092) Transverse Fins

All Dimensions in mm



### M-C092

Rca: 3°C/W (typ.), at natural convection

1.44°C/W (typ.), at 100LFM

1.17°C/W (typ.), at 200LFM

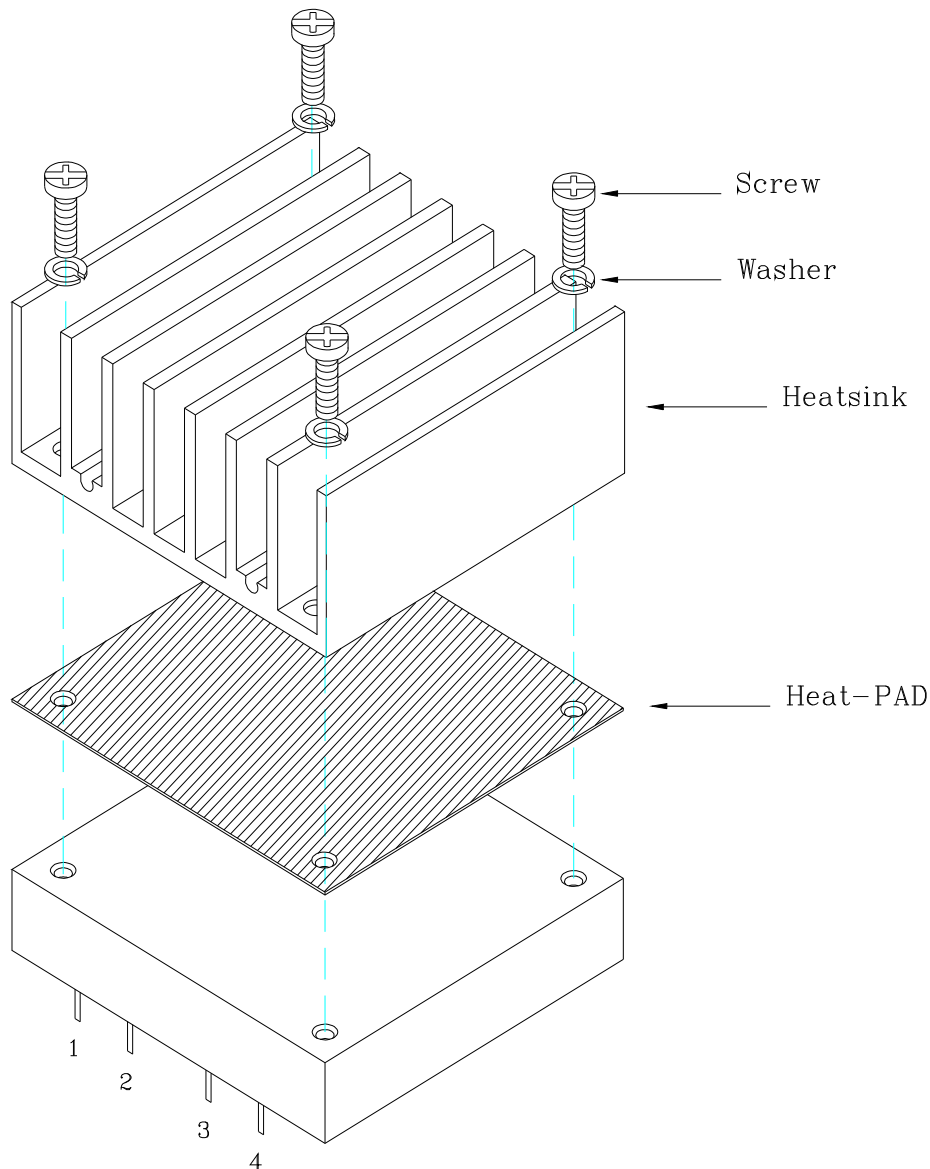
1.04°C/W (typ.), at 300LFM

0.95°C/W (typ.), at 400LFM



# HB CASE HEATSINK Assembly

**PART NUMBER: HBL210PH01K310W; HBT127PH01K310W;  
HBT254PH01K310W**

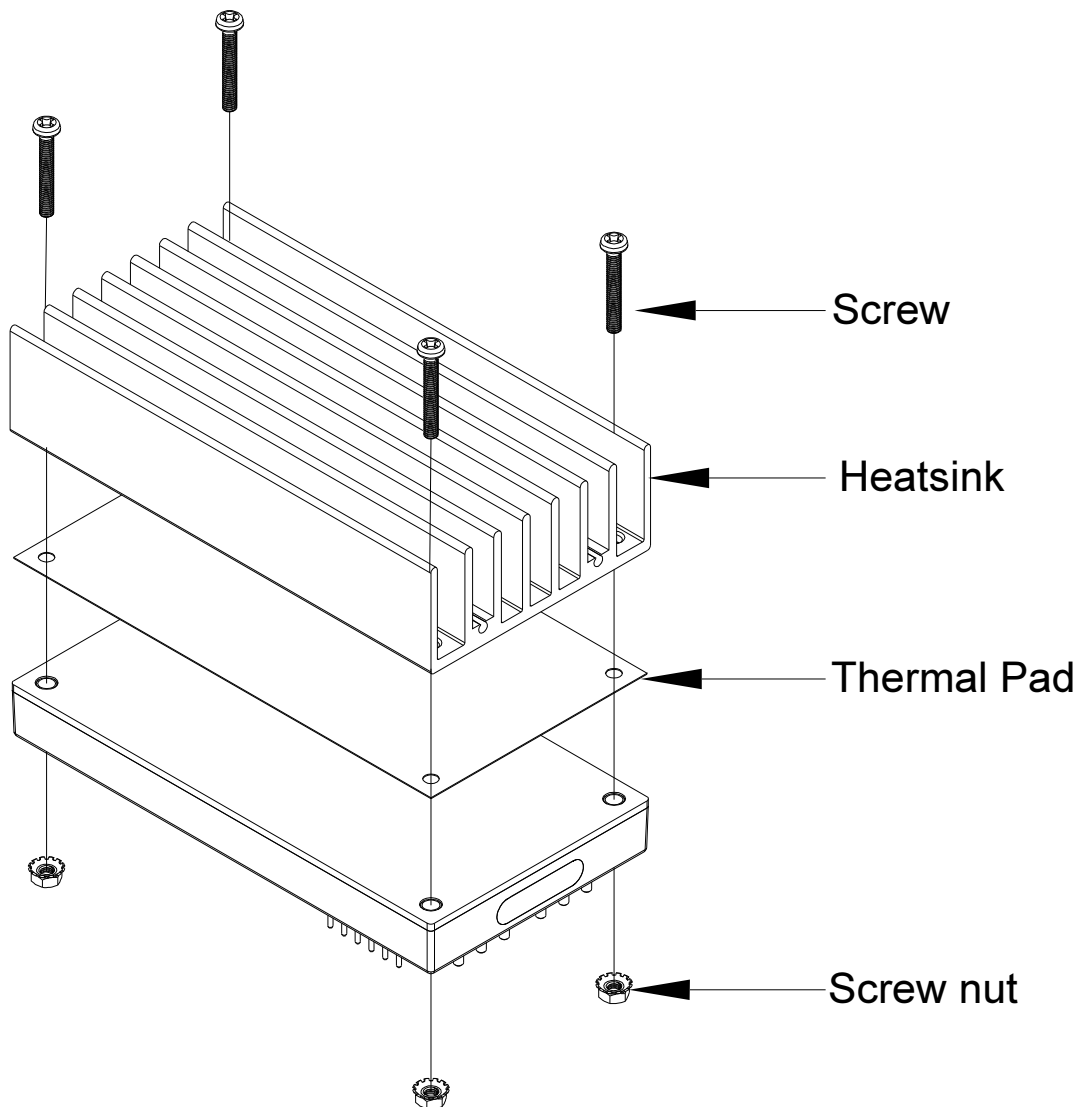


Heat Sink: HBL210 (M-C308)  
HBT127 (M-C091)  
HBT254 (M-C092)  
Thermal Pad: PH01 56.9\*60\*0.25 mm  
Screw Set: K308W SMP+SW M3\*8mm





# FB CASE HEATSINK Assembly



Heat Sink: FBL254 (M-B012)

Thermal Pad: PF01 60\*115.8\*0.25mm

Screw Set: K320N M3\*20mm + Nut NH+WOM3\*P0.5N