

STWA11 SERIES



2 Year Warranty

10W Wall Mount Power for I.T. Equipment

- Wide Input Voltage 90 to 264 VAC, 47 to 63Hz
- European type 2 prong plug
- Output Voltage Available From 5VDC Thru 40VDC
- Optional Output Connector
- Single Output
- Class II Insulation
- CEC Level V, Energy Star 2.0 and RoHS Compliance

Approvals:      

Single Output

Product Number	Output Voltage	Max. Output Current	Total Regulation	Maximum Output Power
STWA11-S02	5 ~ 6 VDC	1.60 ~ 1.33 A	5%	8W
STWA11-S03	6 ~ 8 VDC	1.33 ~ 1.00 A	5%	8W
STWA11-S04	8 ~ 11 VDC	1.25 ~ 0.91 A	5%	10W
STWA11-S05	11 ~ 13 VDC	0.91 ~ 0.77 A	5%	10W
STWA11-S06	13 ~ 16 VDC	0.77 ~ 0.63 A	5%	10W
STWA11-S07	16 ~ 21 VDC	0.63 ~ 0.48 A	3%	10W
STWA11-S08	21 ~ 27 VDC	0.48 ~ 0.37 A	3%	10W
STWA11-S09	27 ~ 33 VDC	0.37 ~ 0.30 A	3%	10W
STWA11-S10	33 ~ 40 VDC	0.30 ~ 0.25 A	3%	10W

The total regulation on model S02-S05 is required to use AWG#20/4FT output cable.

The total regulation on model S06-S10 is required to use AWG#24/4FT output cable.

The regulation and efficiency will be changed by modified output cable.

Electrical Characteristics

Parameter	Test Conditions	Min.	Typ.	Max.	Unit
Input Voltage	Operating Voltage	90		264	VAC
Input Frequency		47		63	Hz
Output Power Range	Vin=90 to 264VAC	0		10	W
Input Current (Low Line)	Io=Full load, Vin=115VAC			0.3	A
Input Current (High Line)	Io=Full load, Vin=230VAC			0.2	A
Low Line Inrush Current	Io=Full load, 25°C, Cool start, Vin=115VAC		20	30	A
High Line Inrush Current	Io=Full load, 25°C, Cool start, Vin=230VAC		45	60	A
Efficiency	Io=Full Load, Vin=230VAC	75	80	85	%
Line Regulation	Io=Full Load		0.5	1	%
Load Regulation	Vin=230VAC		3	5	%
Over Voltage Protection			Nil		%
Over Current Protection	Nil But, Output protected to short circuit conditions				%
Transient Response	Io=Full Load to Half Load, Vin=100VAC			4	mS
Hold-Up Time	Io=Full Load, Vin=110VAC	5	10		mS
Start Up Time	Io=Full Load, Vin=100VAC	0.3	1	2	S
* Ripple & Noise (Peak to Peak)	Full Load, Vin=90VAC		0.5	1	%
Safety Ground Leakage Current	Io=Full Load, Vin=240VAC		0.2	0.25	mA
Temperature Coefficient	All output	-0.04		0.04	%/°C

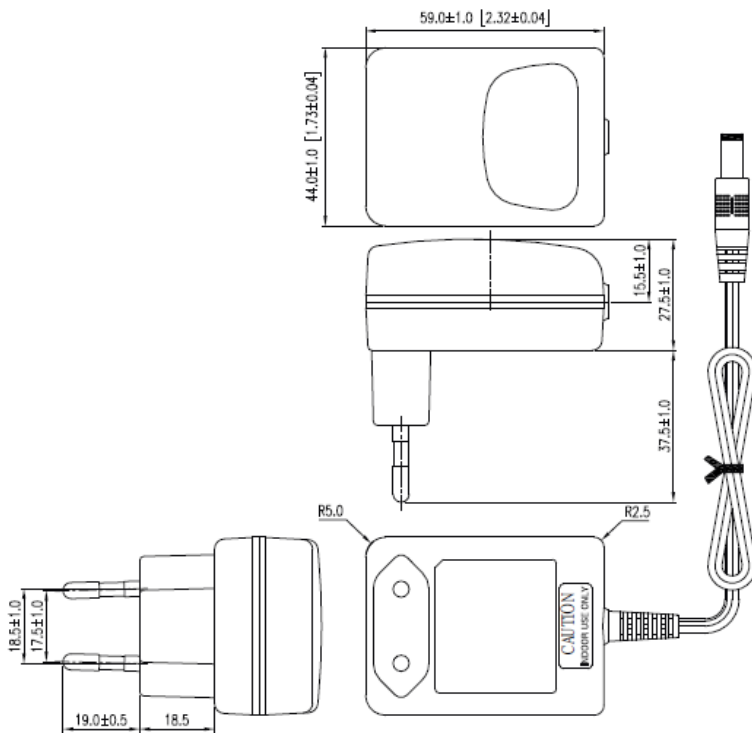
Conditions

Parameter	Test Conditions	Min.	Typ.	Max.	Unit
Operating Temperature		0	40	70	°C
Storage Temperature		-40		85	°C
Relative Humidity	No-Condensing	5		95	%
Operating Temperature at 25°C, Calculated per MIL-HDBK-217F		0.1			M Hrs
De-rate linearly from 100% load at 40°C to 50% load at 70°C					

Approvals and Compliance

Parameter	Test Conditions	Min.	Unit
Dielectric Withstanding Voltage for Primary to secondary	Primary to secondary	4242	VDC
EMI requirements for CISPR-22	Vin=220VAC	B	CLASS
EMI requirements for FCC PART-15	Vin=110VAC	B	CLASS

Mechanical and PIN out



Note:

1. Dimensions are shown in mm.
2. Weight: 90gs approx.
3. Optional output connector.