

## PTWA-183 SERIES

## 18W Multi-Plug Wall Mount Power Supply for I.T. Equipment



- Input Voltage 100 to 240 VAC, 50 to 60Hz
- Interchangeable AC Plug
- Constant Voltage or Constant Current
- Single Output
- Class II Insulation (Double Insulation)
- UL/C-UL, TUV-GS, CE EMC&LVD, FCC, and EMI Certified

1 Year Warranty

Approvals:      

### Single Output

Product Number	Output Voltage	Max. Output Current	Output Regulation	Maximum Output Power
PTWA-183-xxxxxy	3 ~ 24 VDC		5%	18W

### Electrical Characteristics

Parameter	Test Conditions	Min.	Typ.	Max.	Unit
Input Voltage	Operating Voltage	100		240	VAC
Input Frequency		50		60	Hz
Output Power Range		0		18	W
Input Current (rms)	I/P: 90 VAC		0.5		A
Input Current	I/P: 264 VAC		0.3		A
Hold-up time	Full load at 115 VAC		10		ms
Voltage Regulation	At constant voltage mode		±5		%
Current Limit	At constant current mode		±5		%
Efficiency	Io=Full Load, 115 VAC (DC Conversion)	75			%
Temperature Coefficient	All output	-0.05		0.05	%/°C
Protection	Over voltage protection (OVP), AC recycle; Short circuit protection; Output short circuit protection				
Automatic Recovery	Automatic recovery when removal of protect condition. Any protect condition shall cause no damage and no component fail. (<0.03 ohm)				

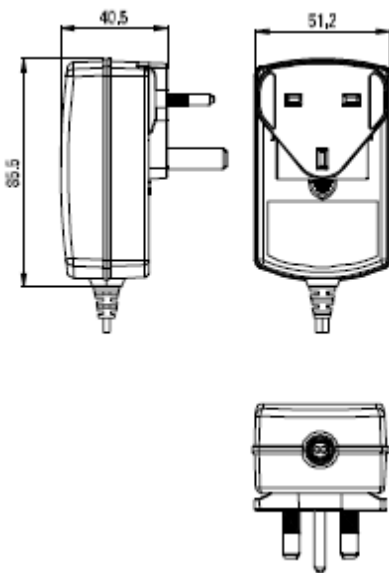
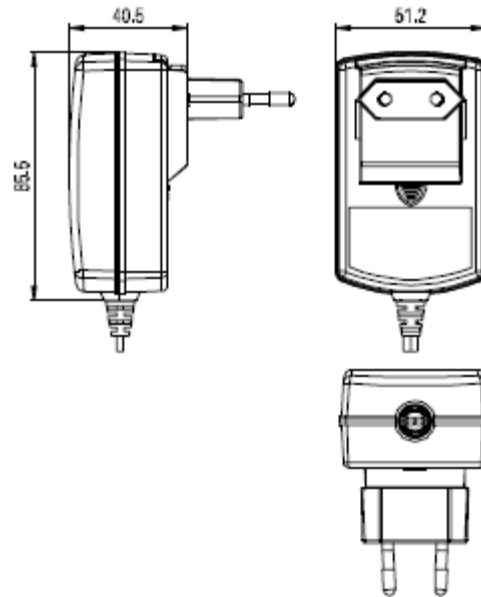
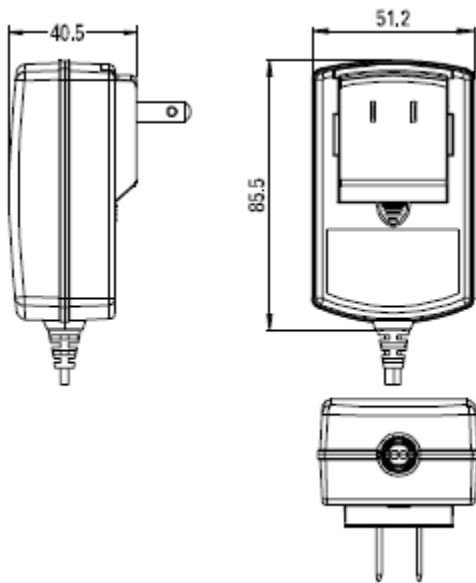
### Approvals and Compliance

Parameter	Test Conditions	Min.	Unit
EMI	FCC Class B, CISPR22 Class B, EN55022 Class B		
Safety Description	UL/c-UL, FCC, CE, EMC&LVD, EN60950, UL60950	n/a	n/a

### Conditions

Parameter	Test Conditions	Min.	Typ.	Max.	Unit
Operating Temperature	Ambient	0		40	°C
Storage Temperature	Ambient	-10		70	°C

## Mechanical and PIN out



### Note:

1. Dimensions are shown in mm.
2. Weight: 218g approx.  
(Exclude the input cord)
3. Optional output connector.