



**FEATURES**

3U x 8TE x 160 mm  
INPUT : 95 - 264 Vac  
OUTPUT : 250W  
Efficiency : 79 % typ.  
Air forced  
Compact PCI compatible  
Options : -40°C (T), conformal coating (V)



**APPLICATIONS**

Naval and industrial applications.

**INPUT**

Voltage range : 95 - 264Vac  
Nominal : 230Vac  
Input protection : fuse 5A  
transient and surges protected

**OUTPUT**

Voltage : V1 : + 5V / 20A , V2 : +3V3 / 15A (V1+V2 do not exceed 100W)  
V3 : +12V / 6A (12,5A max.), V4 : -12V / 6A (12,5A max.)

	OUTPUT		Conditions
	Typ.	Max.	
<b>Line regulation</b>	0,02 %	0,2 %	Low line to high line ; full load
<b>Load regulation</b>	0,5 %	2,5 %	No load to full load
<b>Ripple and noise</b>		7,5 % : V1, V2 2 % : V3, V4	Peak to peak, nom. Input ; full load
<b>Current limit</b>		+5V : 23A +3V3 : 15A +12V : 12,5A -12V : 6A	Vout = 95% of nominal ; Automatic restart
<b>Short circuit current</b>		+5V : 23A +3V3 : 27,5A +12V : 14,3A -12V : 14,3A	Vout < 250mV ; Automatic restart

## SIGNALS

Input OK : Led  
Output OK : Led for each output  
ON/OFF : Connect to 0V for enable

## ENVIRONMENTAL

Storage temperature : -20°C to +100°C  
Operating temperature : -20°C to 60°C ambient, forced air, nominal power  
(-40°C : T option)

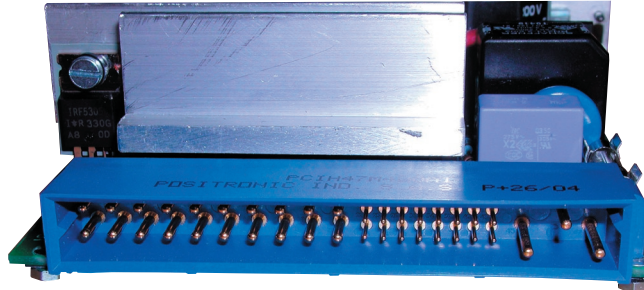
## ISOLATION

Input to chassis : 1500 Vrms or 2121 Vdc  
Input to Output : 3000 Vrms or 4242 Vdc  
Output to Chassis : >100 Mohms at 500 Vdc

## GENERAL

Safety : built to meet EN60950  
EMI : built to meet MIL-STD-461, conducted.

## MECHANICALS

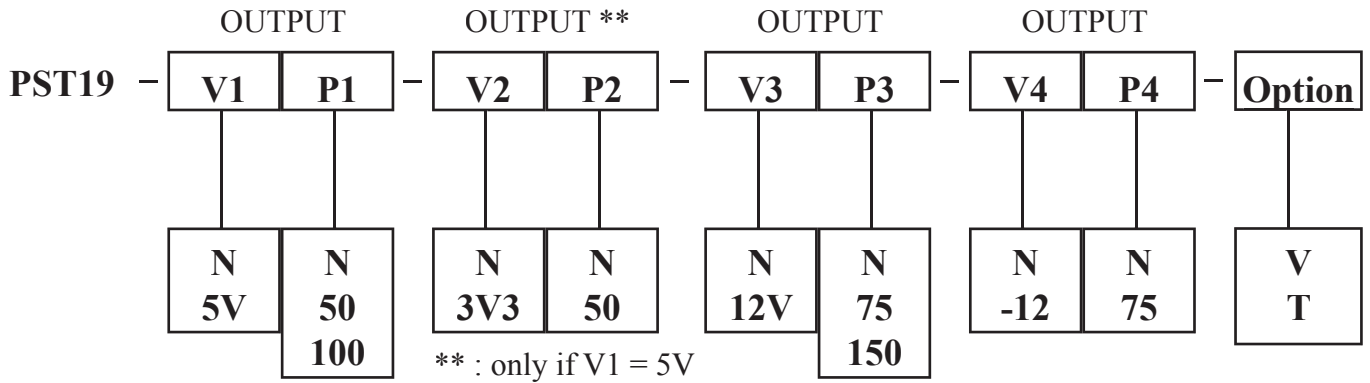


### J1 : PCIH47M400A1

PIN	DESCRIPTION
PIN 1 to 4	V1 : + 5V
PIN 5 to 12	0V (V1, V2)
PIN 13 to 18	V2 : + 3V3
PIN 19	0V (V3)
PIN 20	V3 : + 12V
PIN 21	V4 : - 12V
PIN 22	0V signal
PIN 23	NC
PIN 24	0V (V4)
PIN 25 to 26	NC
PIN 27	Enable
PIN 28 to 32	NC
PIN 33	+ Sense V2
PIN 34	- Sense 0V (V1, V2)
PIN 35 to 44	NC
PIN 45	Ground
PIN 46	AC/N
PIN 47	AC/L

## HOW TO ORDER ?

Just fill in.



V = Conformal coating  
T = -40°C operation

COMPANY NAME :

ADDRESS :

NAME :

JOB TITLE :

QUANTITY :

DELIVERY DATE :

INFORMATION :

SEND TO :

**POWER SYSTEM TECHNOLOGY**  
19, 21 rue Gustave Eiffel - Bâtiment A2  
28630 GELLAINVILLE - FRANCE  
Tel. : +33 (0) 2 37 30 78 40 - Fax : +33 (0) 2 37 30 77 71  
Email : [sales@powersystemtechnology.com](mailto:sales@powersystemtechnology.com)