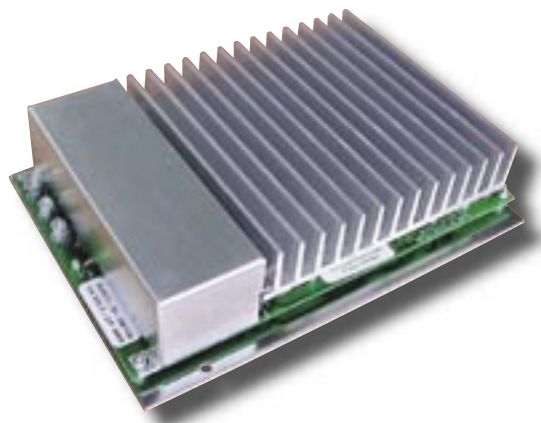




FEATURES

210 x 150 x 52 mm
 INPUT : 24, 48, 72, 110Vdc
 OUTPUT : Single output from 3V3 to 48V
 POWER : Up to 400W
 Efficiency : 84 % typ.
 DIN Rail mounting option (-D)
 Redundant N+1 option (-R)



APPLICATIONS

Modular power supply for industrial & railways

INPUT

| | | | |
|-----------------|---------|-------------------|-----------------------|
| Voltage range : | 24Vnom | Range : 18-36Vdc | Max output power 150W |
| | 48Vnom | Range : 36-75Vdc | Max output power 300W |
| | 72Vnom | Range : 55-100Vdc | Max output power 400W |
| | 110Vnom | Range : 66-160Vdc | Max output power 400W |

Input protection : fuse
 transient and surges protected
 reverse polarity

OUTPUT

| Vin \ Vout | 3V3 | 5V | 12V | 15V | 24V | 28V | 48V |
|------------|------|------|------|------|------|------|------|
| 24 | 150W | 150W | 150W | 150W | 150W | 150W | 150W |
| 48 | 150W | 200W | 400W | 400W | 400W | 400W | 400W |
| 72 | 150W | 200W | 400W | 400W | 400W | 400W | 400W |
| 110 | 150W | 200W | 400W | 400W | 400W | 400W | 400W |

OUTPUT

| | OUTPUT | | Conditions |
|------------------------------|------------------------------|--------------------------|--|
| | Typ. | Max. | |
| Line regulation | 0,02 % | 0,2 % | Low line to high line ; full load |
| Load regulation | 0,5 % | 1 % | No load to full load |
| Ripple and noise | 0,5 % | 1 % | Peak to peak, nom. Input ; full load |
| Current limit | 105 to 135 % of I nominal | | Vout = 95% of nominal ; Automatic restart |
| Short circuit current | 115 % of Iout nominal | 140 % of Iout nominal | |

Trim range 50 % to 110 % (Factory adjustable)

SIGNALS

Input OK : Led in front panel
Output OK : Led in back panel

ENVIRONMENTAL

Storage temperature : -20°C to +100°C
Operating temperature : -20°C to +70°C
 Convection cooled : -20°C to 80°C heatsink 300W max., vertical position at 30°C ambient
 Air forced : minimum 1m/s for full power, 50°C ambient max.

ISOLATION

Input to chassis : 1500 Vrms or 2121 Vdc
Input to Output : 3000 Vrms or 4240 Vdc
Output to Chassis : > 100 Mohms at 500Vdc

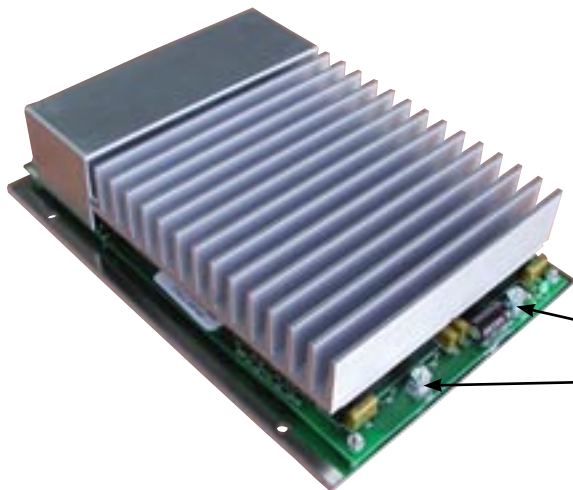
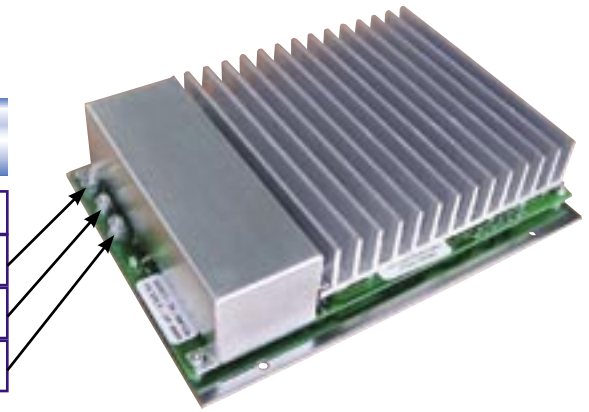
GENERAL

Safety : **built to meet EN60950**
EMI : **built to meet EN55022A, conducted.**
ENV. : **built to meet EN 50155**

MECHANICALS

INPUT : M4 studs

| PIN | DESCRIPTION |
|-----|-------------|
| 1 | Earth |
| 2 | + IN |
| 3 | - IN |



OUTPUT : M4 studs

| PIN | DESCRIPTION |
|-----|-------------|
| 1 | + OUT |
| 2 | - OUT |

HOW TO ORDER ?

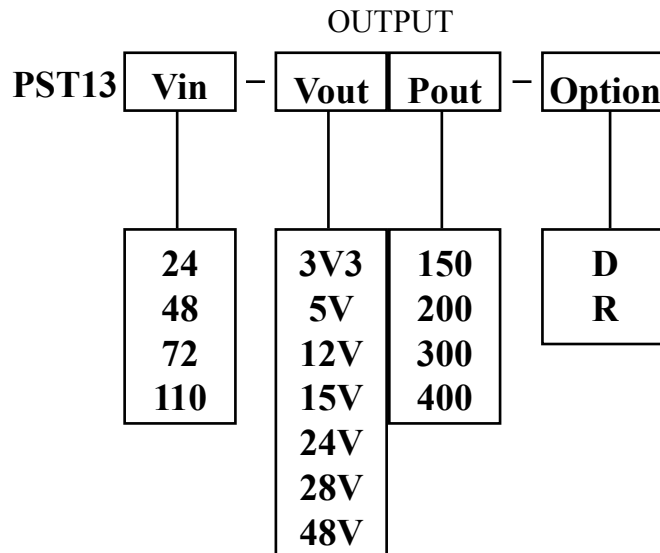
Just fill in.

Max. output current 20A

Max input current 10A

Pmax : 400W

Please see page 1 for max output power configuration



COMPANY NAME :

ADDRESS :

NAME :

JOB TITLE :

QUANTITY :

DELIVERY DATE :

INFORMATION :

SEND TO :

POWER SYSTEM TECHNOLOGY
19, 21 rue Gustave Eiffel - Bâtiment A2
28630 GELLAINVILLE - FRANCE
Tel. : +33 (0) 2 37 30 78 40 - Fax : +33 (0) 2 37 30 77 71
Email : sales@powersystemtechnology.com