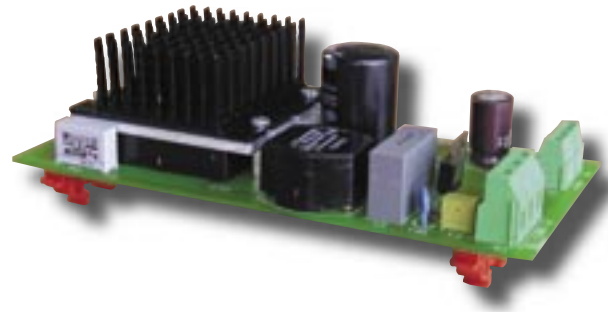




FEATURES

160 x 80 x 39 mm
 INPUT : 12, 24, 48, 72, 110Vdc IN
 OUTPUT : From 3V3 to 48Vdc
 POWER : Up to 100W
 Efficiency : 84 % typ.
 Convection cooled
 Cover and output low noise filtering as options



APPLICATIONS

This range of power supplies is specially designed for DIN Rail mounting applications in commercial and industrial application.

INPUT

Voltage range :	12Vnom	Range : 10-20Vdc	Limited to 50W
	24Vnom	Range : 18-36Vdc	Limited to 75W
	48Vnom	Range : 36-75Vdc	
	72Vnom	Range : 55-100Vdc	
	110Vnom	Range : 66-160Vdc	
Input protection :	fuse 5A transient and surges protected reverse polarity protected		

OUTPUT

Voltage : 3V3, 5V, 12V, 15V, 24V, 28V, 48V
 Power : up to 100W
 Trim range : 90 % to 110 % (factory adjustable)

	OUPUT		Conditions
	Typ.	Max.	
Line regulation	0,05 %	0,5 %	Low line to high line ; full load
Load regulation	0,2 %	1 %	No load to full load
Ripple and noise	1,5 %	3 %	Peak to peak, nom. Input ; full load
Current limit	110 to 140 % of I nominal		Vout = 95% of nominal ; Automatic restart

OPTIONS

Plastic cover (- C : see below part numbering)

Output common mode filtering reducing output ripple (- L : see below part numbering)

ENVIRONMENTAL

Storage temperature : -20°C to +100°C

Operating temperature : -20°C to +70°C
convection cooled : derating above 50°C

ISOLATION

Input to heatsink : 1500 Vrms

Input to Output : 3000Vrms

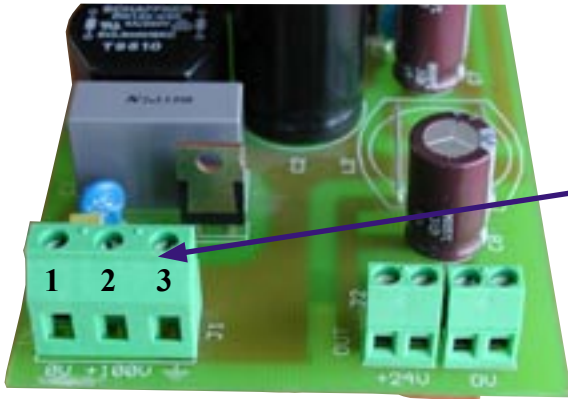
Output to heatsink : 1500 Vrms

GENERAL

Safety : built to meet EN60950

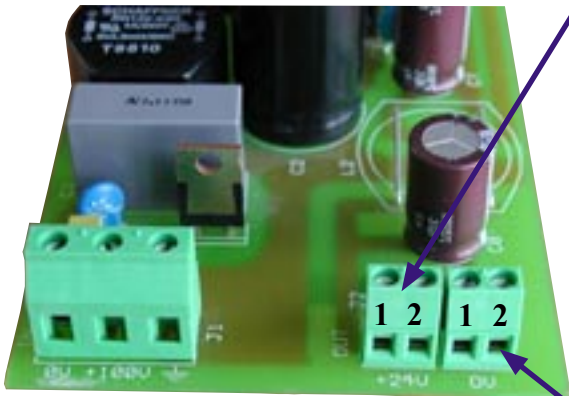
EMI : built to meet EN55022A

MECHANICALS



INPUT : J1 - Screw connector 3pts

PIN	DESCRIPTION
1	- IN
2	+ IN
3	Ground



OUTPUT : J2 - Screw connector 2 pts

PIN	DESCRIPTION
1	+ output
2	+ output

OUTPUT : J3 - Screw connector 2 pts

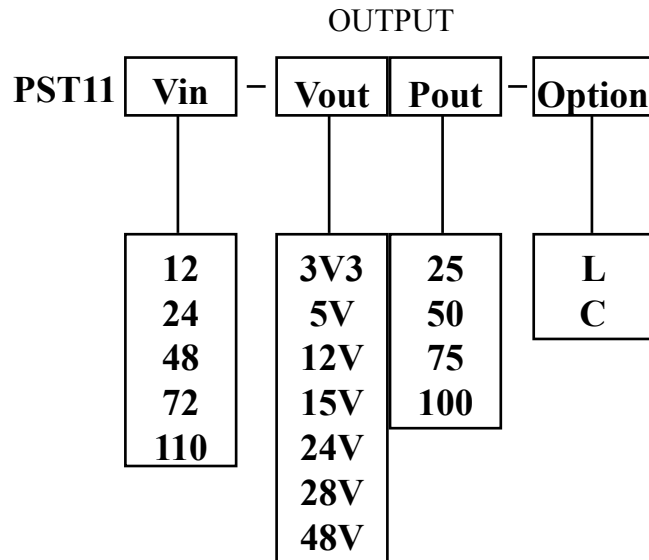
PIN	DESCRIPTION
1	- output
2	- output

PST11

HOW TO ORDER ?

Just fill in.

Pmax : 100W



COMPANY NAME :

ADDRESS :

NAME :

JOB TITLE :

QUANTITY :

DELIVERY DATE :

INFORMATION :

SEND TO :

POWER SYSTEM TECHNOLOGY
19, 21 rue Gustave Eiffel - Bâtiment A2
28630 GELLAINVILLE - FRANCE
Tel. : +33 (0) 2 37 30 78 40 - Fax : +33 (0) 2 37 30 77 71
Email : sales@powersystemtechnology.com