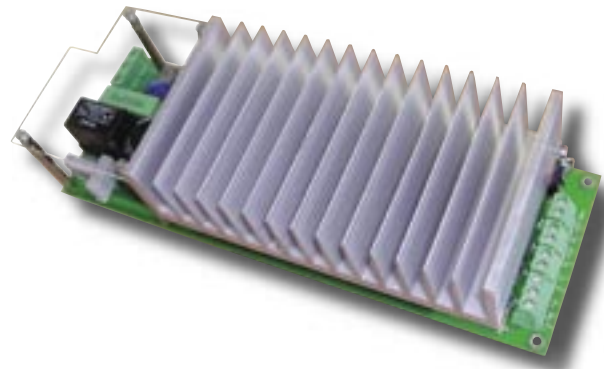


FEATURES

234 x 80 x 60 mm
 INPUT : 48, 72, 110, 150, 300 Vdc IN
 OUTPUT : From 3V3 to 48V
 POWER : up to 200W
 Efficiency : 82 % typ.
 Convection cooled
 DIN rail mounting
 Redundant operation



APPLICATIONS

Industrial DIN RAIL mounting application

INPUT

Voltage range :	48Vnom	Range : 36-75Vdc	I _{in} 3A max.
	72Vnom	Range : 55-100Vdc	
	110Vnom	Range : 66-160Vdc	
	200Vnom	Range : 100-200Vdc	
	300Vnom	Range : 200-400Vdc	
Input protection :	fuse 3,15A transient and surges protected reversal polarity protected inrush current		

OUTPUT

Voltage : 3V3, 5V, 12V, 24V, 28V, 48V up to 200W
 Trim range : 50% to 110% (factory adjustable)
 Total remote sense compensation : 0,5V

	OUTPUT		Conditions
	Typ.	Max.	
Line regulation	0,02 %	0,2 %	Low line to high line ; full load
Load regulation	0,5 %	1 %	No load to full load
Ripple and noise	0,5 %	1 %	Peak to peak, nom. Input ; full load
Current limit	105 to 135 % of I _{nominal}		V _{out} = 95% of nominal ; Automatic restart
Short circuit current	115 % of I _{out nominal}	140 % of I _{out nominal}	

SIGNALS

Power Good : Relay contact

ENVIRONMENTAL

Storage temperature : -20°C to +100°C

Operating temperature : -20°C to +70°C
-20°C to 55°C ambient, no derating, convection cooled.

ISOLATION

Input to chassis : 1500 Vrms or 2121 Vdc

Input to Output : 3000 Vrms or 4240 Vdc

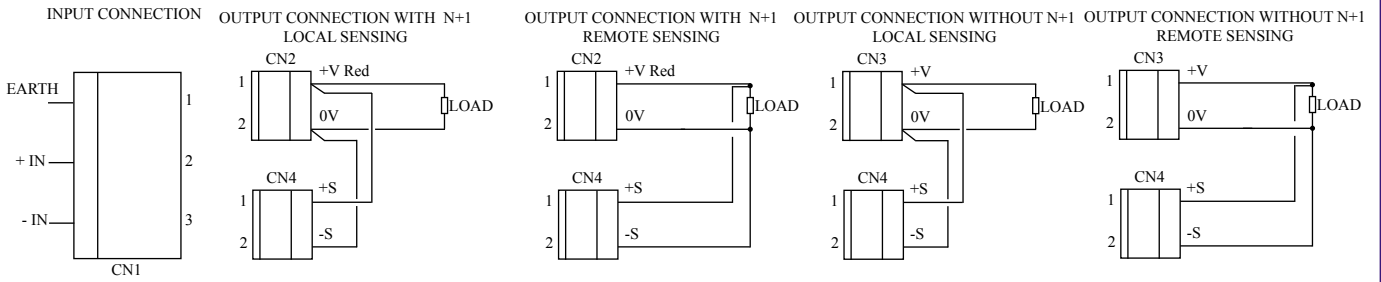
Output to Chassis : >100 Mohms at 500 Vdc

GENERAL

Safety : built to meet EN60950

EMI : built to meet EN55022B

MECHANICALS



INPUT : Phoenix GMKDS 3/3-7,62

PIN	DESCRIPTION
1	Earth
2	+ IN
3	- IN

OUTPUT : PGood - Phoenix MKDS 3/3-5,08

CN5	DESCRIPTION
1	Common
2	Open if output OK
3	Closed if output OK

OUTPUT : Sense compensation - Phoenix 3/2-5,08

CN4	DESCRIPTION
1	- sense
2	+ sense

INPUT : Phoenix 3/2-5,08

CN3	DESCRIPTION
1	+ V
2	0V

INPUT : Phoenix 3/2-5,08

CN2	DESCRIPTION
1	+ V
2	0V

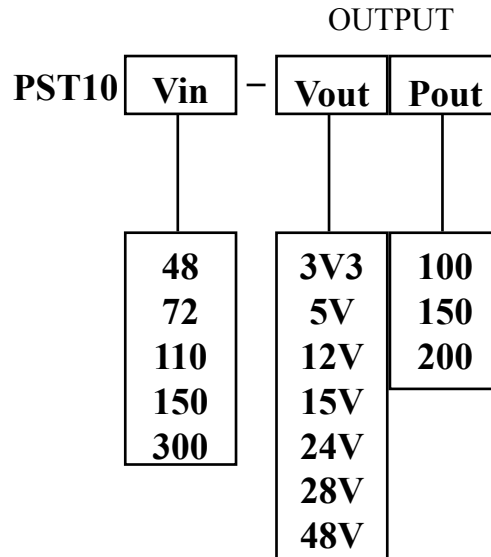


PST10

HOW TO ORDER ?

Just fill in.

Pmax : 200W



COMPANY NAME :

ADDRESS :

NAME :

JOB TITLE :

QUANTITY :

DELIVERY DATE :

INFORMATION :

SEND TO :

POWER SYSTEM TECHNOLOGY
19, 21 rue Gustave Eiffel - Bâtiment A2
28630 GELLAINVILLE - FRANCE
Tel. : +33 (0) 2 37 30 78 40 - Fax : +33 (0) 2 37 30 77 71
Email : sales@powersystemtechnology.com