



FEATURES

150 x 150 x 53 mm
 INPUT : 24, 48, 72, 110Vdc IN
 OUTPUT : from 3V3 to 48Vdc
 POWER : Up to 200W
 Efficiency : 83 % typ.
 Convection cooled



APPLICATIONS

This range of power supplies is specially designed for hard environment applications with vibrations like railways.

INPUT

Voltage range :	24Vnom	range : 18-36Vdc	Limited to 100W
	48Vnom	range : 36-75Vdc	
	72Vnom	range : 55-100Vdc	
	110Vnom	range : 66-160Vdc	
Input protection :	fuse 6,3A transient and surges protected reverse polarity protected		

OUTPUT

Voltage : 3V3, 5V, 12V, 15V, 24V, 28V, 48V
 Power : up to 200W
 Trim range : 50% to 110% of Vnom (factory adjustable)

	OUTPUT		Conditions
	Typ.	Max.	
Line regulation	0,01 %	0,5 %	Low line to high line ; full load
Load regulation	0,2 %	1 %	No load to full load
Ripple and noise	4 %	5 %	Peak to peak, nom. Input ; full load
Current limit	110 to 140 % of I nominal		Vout = 95% of nominal ; Automatic restart

SIGNALS

Input OK : Led

Output OK : Output isolated, open collector, closed if output OK.

Inhibit : General shutdown pin 1,2 CN6 shorted to inhibit.

ENVIRONMENTAL

Storage temperature : -20°C to +100°C

Operating temperature : -20°C to 70°C ambient
convection cooled : see derating below

Power in Watts	Temperature in °C
200	36
150	45
130	50
110	55
85	60
45	70

ISOLATION

Input to chassis : 1500 Vrms or 2121 Vdc

Input to Output : 3000 Vrms or 4242 Vdc

Output to Chassis : >100 Mohms at 500 Vdc

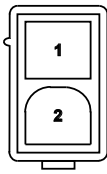
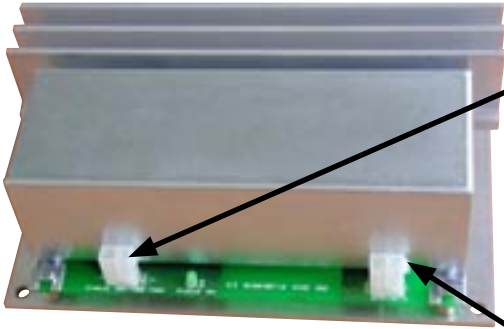
GENERAL

Safety : built to meet EN60950

EMI : built to meet EN55022A, EN 50121-3-2

ENV : built to meet EN50155

MECHANICALS



INPUT : MOLEX 39281023

CN1	DESCRIPTION
PIN 1	+ IN
PIN 2	- IN

INHIBIT : MOLEX 39281023

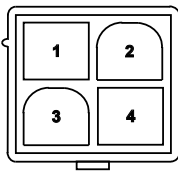
CN6	DESCRIPTION
PIN 1	Inhibit
PIN 2	Inhibit

OUTPUT

	DESCRIPTION
CN4	- output
CN5	- output

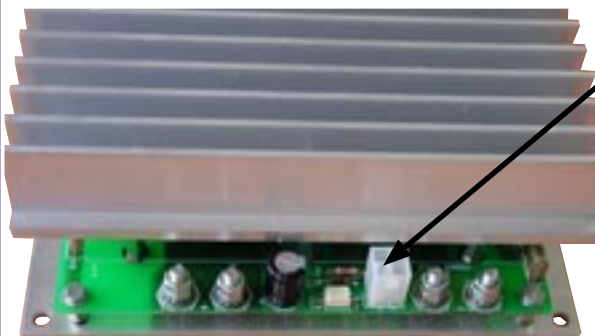
OUTPUT

	DESCRIPTION
CN2	+ output
CN3	+ output



OUTPUT : MOLEX 39281043

CN7	DESCRIPTION
PIN 1	+ Sense
PIN 2	- Sense
PIN 3	Output OK (emettor)
PIN 4	Output OK (collector)



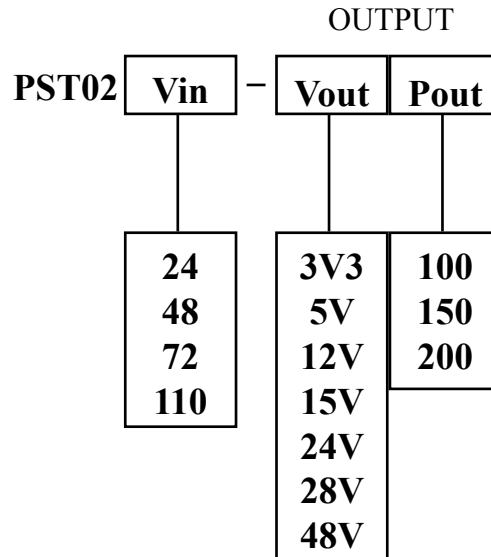
HOW TO ORDER ?

Just fill in.

Max. output current 40A

Max input current 6,3A

Pmax : 200W



COMPANY NAME :

ADDRESS :

NAME :

JOB TITLE :

QUANTITY :

DELIVERY DATE :

INFORMATION :

SEND TO :

POWER SYSTEM TECHNOLOGY
19, 21 rue Gustave Eiffel - Bâtiment A2
28630 GELLAINVILLE - FRANCE
Tel. : +33 (0) 2 37 30 78 40 - Fax : +33 (0) 2 37 30 77 71
Email : sales@powersystemtechnology.com