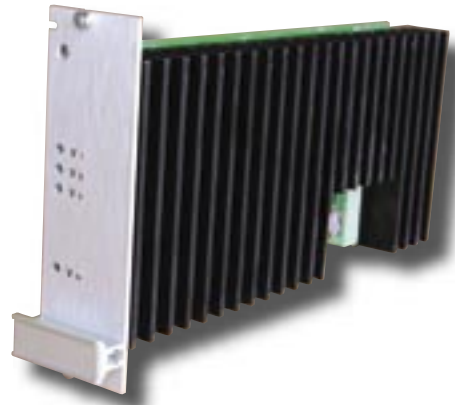




FEATURES

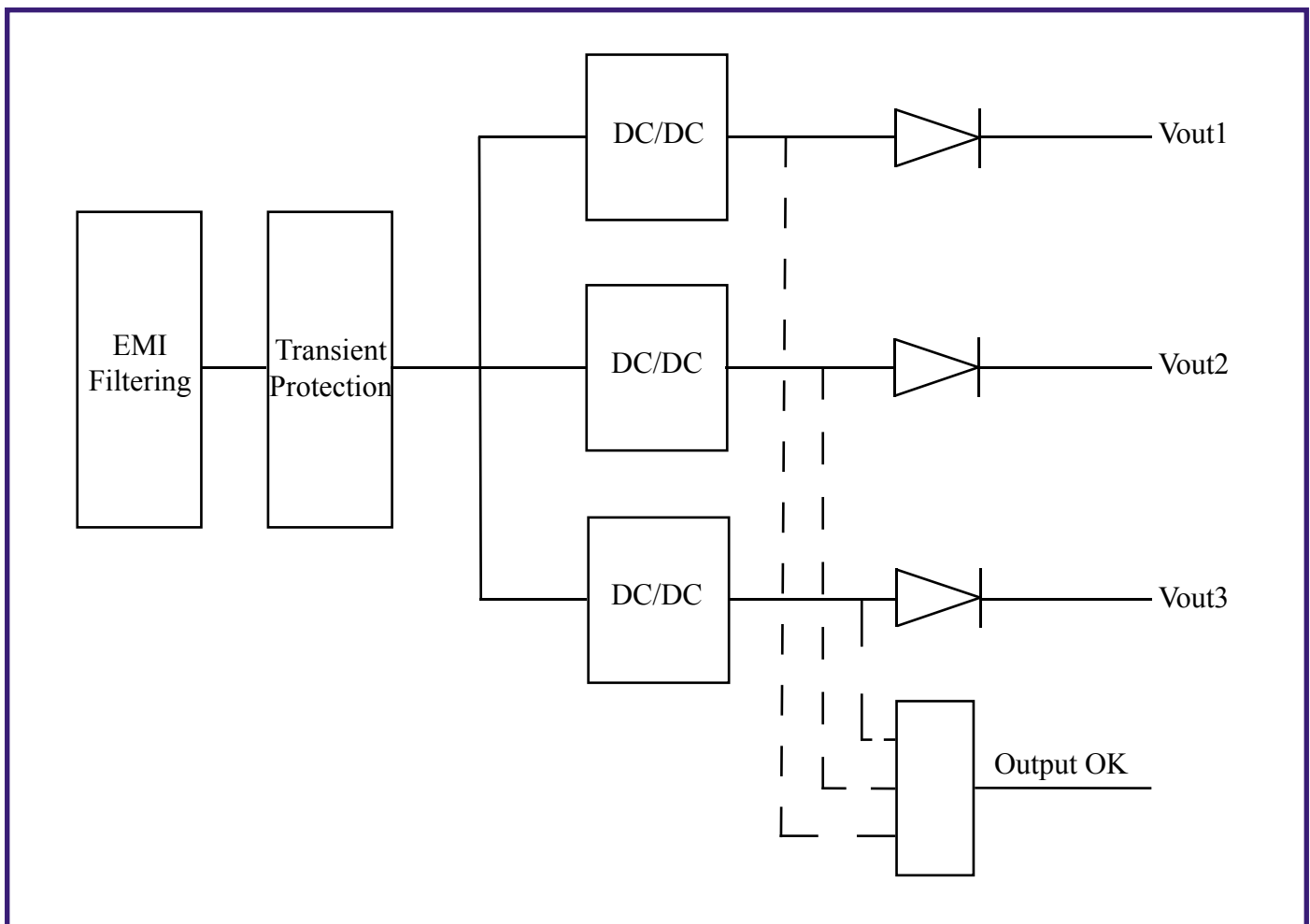
3U x 8TE x 220 mm
Vin : 24, 48, 72, 110 Vdc
Vout : From 3,3V to 48V
1 to 3 outputs fully independent
Option N+1 on every output
Pout max : 250W



APPLICATIONS

This range of power supplies is specially designed for hard environment applications with vibrations like railways.

BLOC DIAGRAM



INPUT

Voltage : 24Vdc, range : 18-36Vdc
 48Vdc, range : 36-72Vdc
 72Vdc, range : 55-100Vdc
 110Vdc, range : 66-160Vdc

Transient protection : EN50155

Fuse protection

Reverse polarity protection

EMI : EN55022A, EN50121-3-2

OUTPUT

Voltage : From 3,3 to 48V

I_{max} : 15A per output

P_{max} : 250W total

Redundancy : N+1 with oring diodes on every ouput as an option

Current limit and short circuit : protected on every output

	V 1		V 2		V 3		Conditions
	Typ.	Max.	Typ.	Max.	Typ.	Max.	
Line regulation	0,2 %	0,5 %	0,2 %	0,5 %	0,2 %	0,5 %	Low line to high line ; full load
Load regulation	0,2 %	0,5 %	2 %	3 %	3 %	4 %	10% to full load
Ripple and noise	2 %		2 %		2 %		Peak to peak - Bandwidth 20MHz according to o/p voltage
Current limit	105 to 135 % of I nominal		105 to 135 % of I nominal		105 to 135 % of I nominal		Vout = 95% of nominal ; Automatic restart
Senses	Remote		Local		Local		Remote sense has to be connected

SIGNALS

Input OK :	red led in front panel
Output OK :	open collector, closed if outputs OK green led in front panel for each output Note that on output 1 when N+1 option is chosen and remote sense is used, the power good led signal is always ON
Inhibit : :	general shutdown, pins 28,32 shorted to inhibit

ENVIRONMENTAL

Storage temperature :	-20°C to 105°C
Operating temperature :	-25°C to +95°C heatsink
Operating temperature in natural convection :	derating 2,5 % / °C above 55°C

ISOLATION

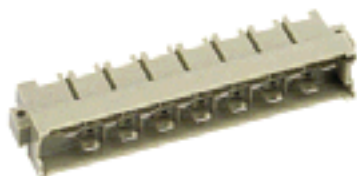
Input to chassis :	1500 Vrms or 2121 Vdc
Input to Output :	3000 Vrms or 4242 Vdc
Output to Chassis :	>100 Mohms at 500 Vdc

GENERAL

Safety :	built to meet EN60950
EMI :	built to meet EN55022, EN50121-3-2, conducted.
ENV :	built to meet EN50155

MECHANICALS

Solder side of the PCB protected by PBT sheet.



DIN 41612 H15



OUTPUT

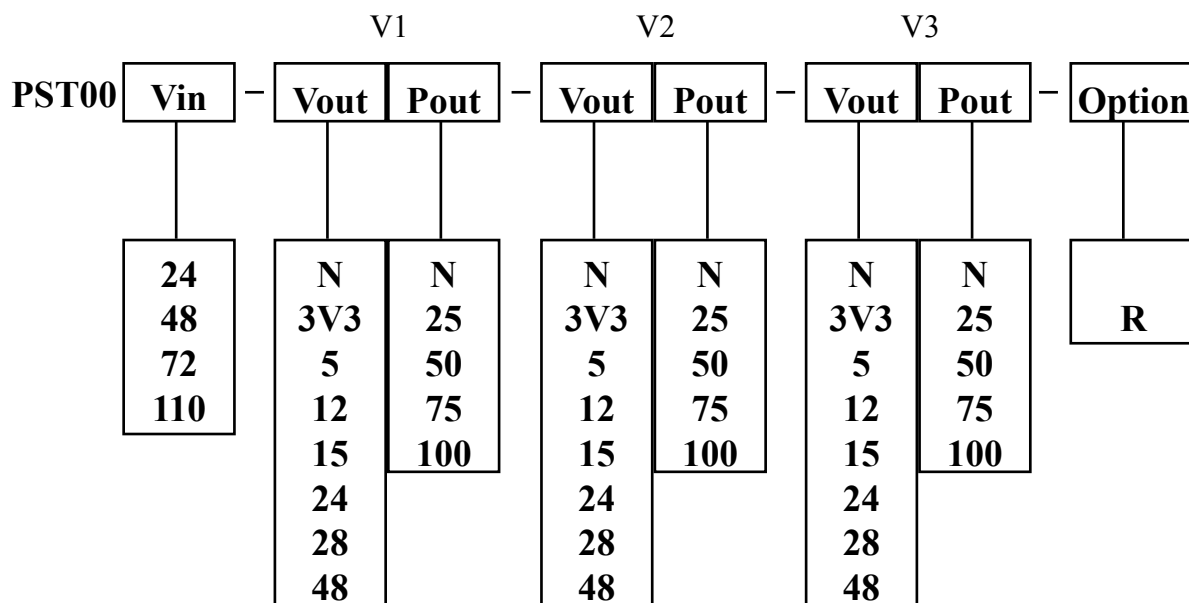
PIN	DESCRIPTION	
4	Vo1+	Output 1 +
6	Vo2+	Output 2 +
8	Vo1-	Output 1 -
10	Vo2-	Output 2-
12	S1+	Output 1 Sense +
14	S1-	Output 1 Sense -
16	NC	No connection
18	Vo3+	Output 3 +
20	Vo3-	Output 3-
22	Out OK+	Output good collector
24	Out OK-	Output good emitter
26	Ground	Ground
28	Inhibit	Inhibit
30	VI+	Input +
32	VI-	Input -

HOW TO ORDER ?

Just fill in.

Iout max : 15A

Pmax : 250W



COMPANY NAME :

ADDRESS :

NAME :

JOB TITLE :

QUANTITY :

DELIVERY DATE :

INFORMATION :

SEND TO :

POWER SYSTEM TECHNOLOGY
19, 21 rue Gustave Eiffel - Bâtiment A2
28630 GELLAINVILLE - FRANCE
Tel. : +33 (0) 2 37 30 78 40 - Fax : +33 (0) 2 37 30 77 71
Email : sales@powersystemtechnology.com