

KEY FEATURES

- Enclosed Switching Power Supply
- Universal Input: 90-264 VAC
- With P.F.C. Function, PF>0.95
- Free Air Convection
- High Efficiency up to 93%
- RoHS Compliant Design
- Ultra Compact Size: 6.0 x 4.18 x 1.38 Inches
- 2-Years Product Warranty



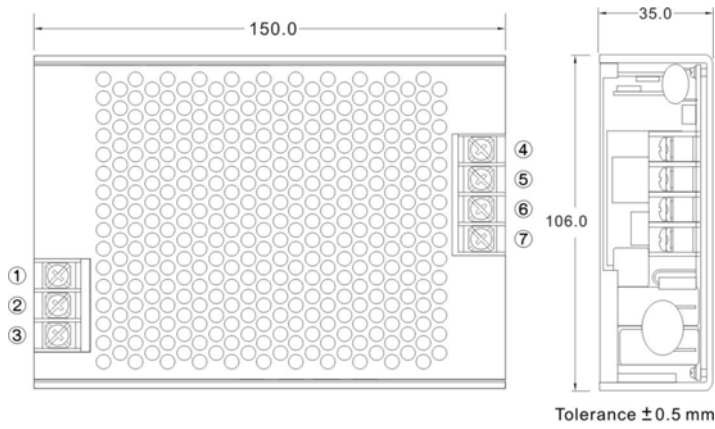
ELECTRICAL SPECIFICATIONS

Model No.	AQF240E-12S	AQF240E-15S	AQF240E-24S	AQF240E-28S	AQF240E-32S	AQF240E-48S
Max Output Wattage (W)	200W	220W	240W			
Input	Voltage					
	90-264 VAC or 120-370 VDC					
	Frequency (Hz)					
	47-63 Hz					
	Current (Full load)					
	<3.0 A max. (115 VAC) / <1.5 A max. (230 VAC)					
Inrush Current (<2ms)						
< 30 A max. (115 VAC) / < 60 A max. (230 VAC)						
Leakage Current						
< 0.5 mA max.						
Power Factor						
PF>0.98 (115 VAC) / PF>0.95 (230 VAC) at Full Load						
Output	Voltage (V.DC.)					
	12V	15V	24V	28V	32V	48V
	Voltage Accuracy					
	±2%					
	Current (Convection) (A) max					
	16.66	14.66	10	8.57	7.5	5
	Line Regulation					
	±1%					
	Load Regulation					
	±1%					
	Minimum Load					
0%						
Maximum Capacitive Load						
470-23,000µF depending on model						
Ripple & Noise (max.)						
120mVp-p	200mVp-p					
Efficiency (typ.)						
90%	90%	92%	92%	92%	93%	
Hold-up Time						
20 ms min.						
Switching Frequency						
100 kHz						
Protection	Over Power Protection					
	Auto recovery					
	Over Voltage Protection					
Latch Off						
Short Circuit Protection						
Latch Off						
Isolation	Input-Output (V.AC)					
	4000V					
	Input-FG (V.AC)					
2000V						
Output-FG (V.AC)						
500V						
Environment	Operating Temperature					
	-10°C...+70°C (with derating)					
	Storage Temperature					
	-25°C...+85°C					
	Temperature Coefficient					
	±0.03%/°C (0~50°C)					
Humidity						
95% RH						
MTBF						
>50,000 h @ 25°C (MIL-HDBK-217F)						
Vibration						
10~500Hz, 2G 10min./1cycle, 60min. each along X, Y, Z axes.						
Physical	Dimension (L x W x H)					
	6.0 x 4.18 x 1.38 Inches (150.0 x 106.0 x 35.0 mm) Tolerance ±0.5 mm					
	Weight					
610 g						
Cooling Method						
Free convection						
Safety	Agency Approvals					
CE, UL60950						
EMC	EMI (Conducted & Radiated Emission)					
	EN 55022 class B					
EMS (Noise Immunity)						
EN 55024						

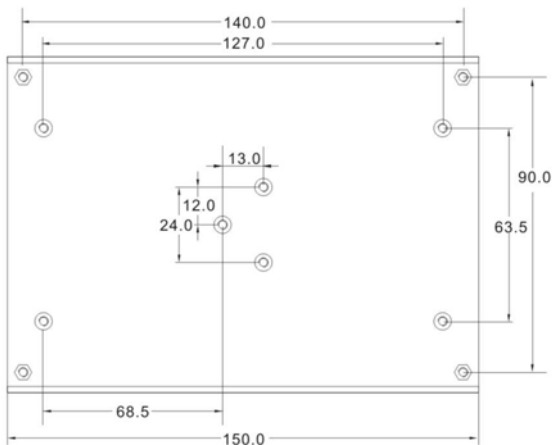
1. All specifications valid at nominal input voltage, full load and +25°C after warm-up time unless otherwise stated.

2. Ripple & Noise are measured at 20MHz of bandwidth with 0.1µF & 47µF parallel capacitor.

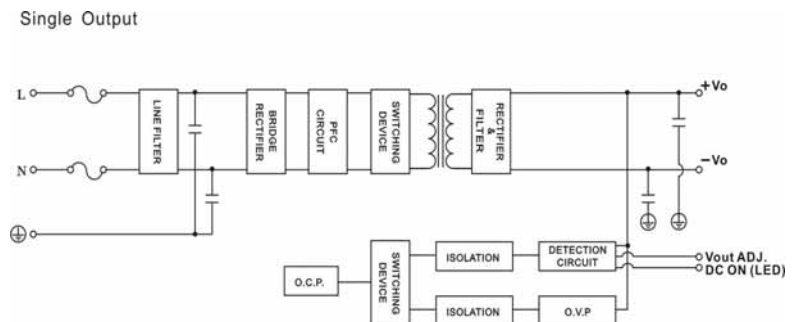
MECHANICAL DIMENSION (Top View)



PIN#	SINGLE
1	AC IN (L)
2	AC IN (N)
3	FG
4	+DC OUT
5	+DC OUT
6	-DC OUT
7	-DC OUT



BLOCK DIAGRAM



DERATING

